

PRODUCT INFORMATION PACKET



Model No: 110088.00
Catalog No: 110088.00
1 HP Agricultural Motor, 1 phase, 1800 RPM, 115/208-230 V, 56 Frame, TEFC
Agricultural Motors



Regal and Leeson are trademarks of Regal Beloit Corporation or one of its affiliated companies.
©2020 Regal Beloit Corporation, All Rights Reserved. MC017097E

The Regal logo consists of the word "REGAL" in a bold, white, sans-serif font, set against a dark grey, trapezoidal background. The background has a subtle halftone dot pattern.



Nameplate Specifications

Output HP	1 Hp	Output KW	0.75 kW
Frequency	60 Hz	Voltage	115/208-230 V
Current	14.0/7.1-7.0 A	Speed	1725 rpm
Service Factor	1.15	Phase	1
Efficiency	74 %	Power Factor	63
Duty	Continuous	Insulation Class	B
Design Code	N	KVA Code	K
Frame	56	Enclosure	Totally Enclosed Fan Cooled
Thermal Protection	Manual	Ambient Temperature	40 °C
Drive End Bearing Size	6203	Opp Drive End Bearing Size	6203
UL	Recognized	CSA	Y
CE	N	IP Code	43

Technical Specifications

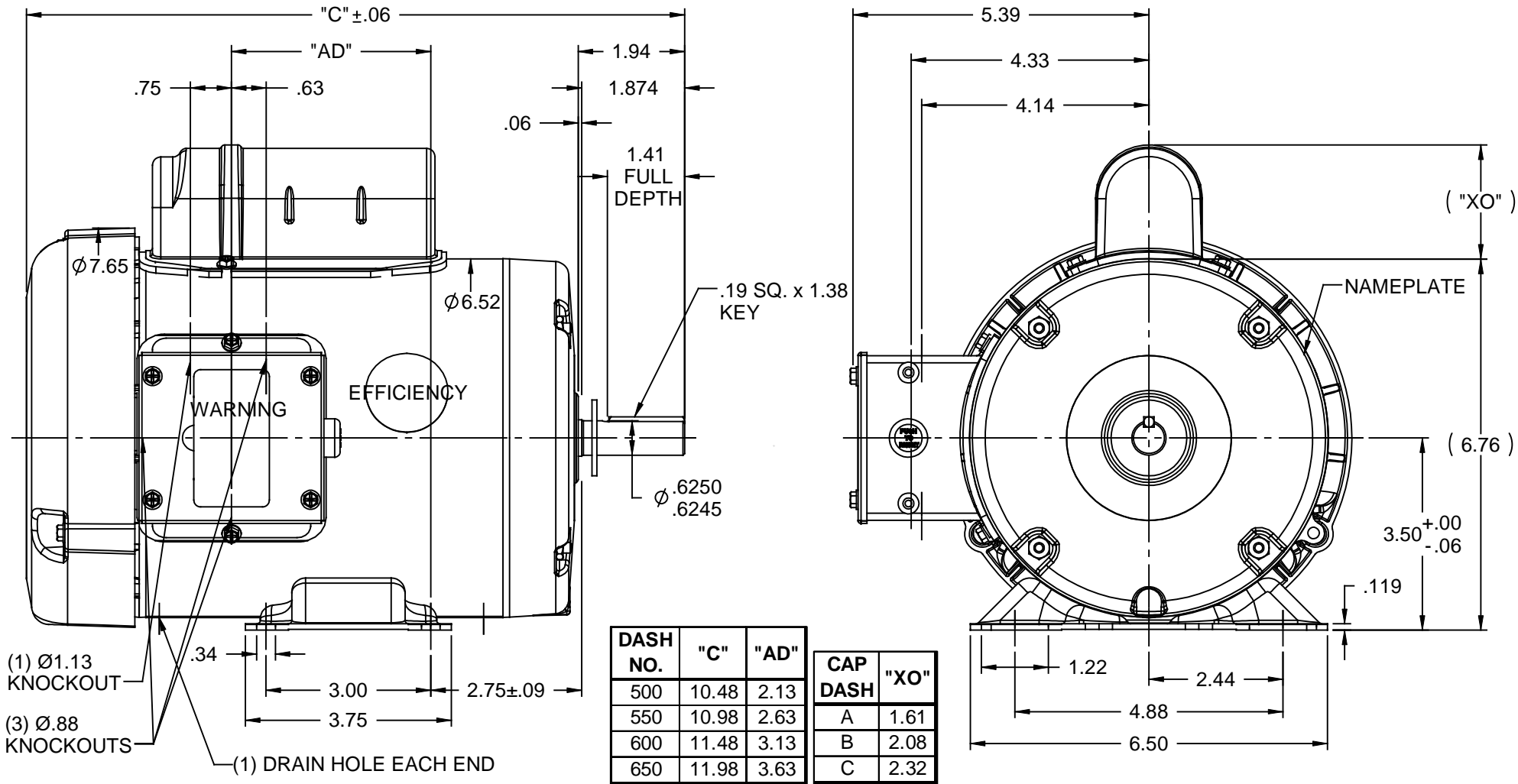
Electrical Type	Capacitor Start Induction Run	Starting Method	Across The Line
Poles	4	Rotation	Selective Counterclockwise
Resistance Main	1.8 Ohms	Mounting	Rigid base
Motor Orientation	Horizontal	Drive End Bearing	Ball
Opp Drive End Bearing	Ball	Frame Material	Rolled Steel
Shaft Type	NEMA 56	Overall Length	11.98 in
Frame Length	6.50 in	Shaft Diameter	0.625 in
Shaft Extension	1.88 in	Assembly/Box Mounting	F1 ONLY
Outline Drawing	028774-650B	Connection Drawing	005003.03


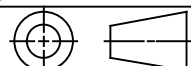
This is an uncontrolled document once printed or downloaded and is subject to change without notice. Date Created:14/10/2020

This document is the property of REGAL BELOIT CORPORATION ("RBC") including its subsidiaries and divisions and contains proprietary information of RBC. This document is loaned on the express condition that neither it nor the information contained therein shall be disclosed to others without the express written consent of RBC, and that the information shall be used by the recipient only as approved expressly by RBC. This document shall be returned to RBC upon its request. This document may be subject to certain restrictions under U.S. export control laws and regulations.

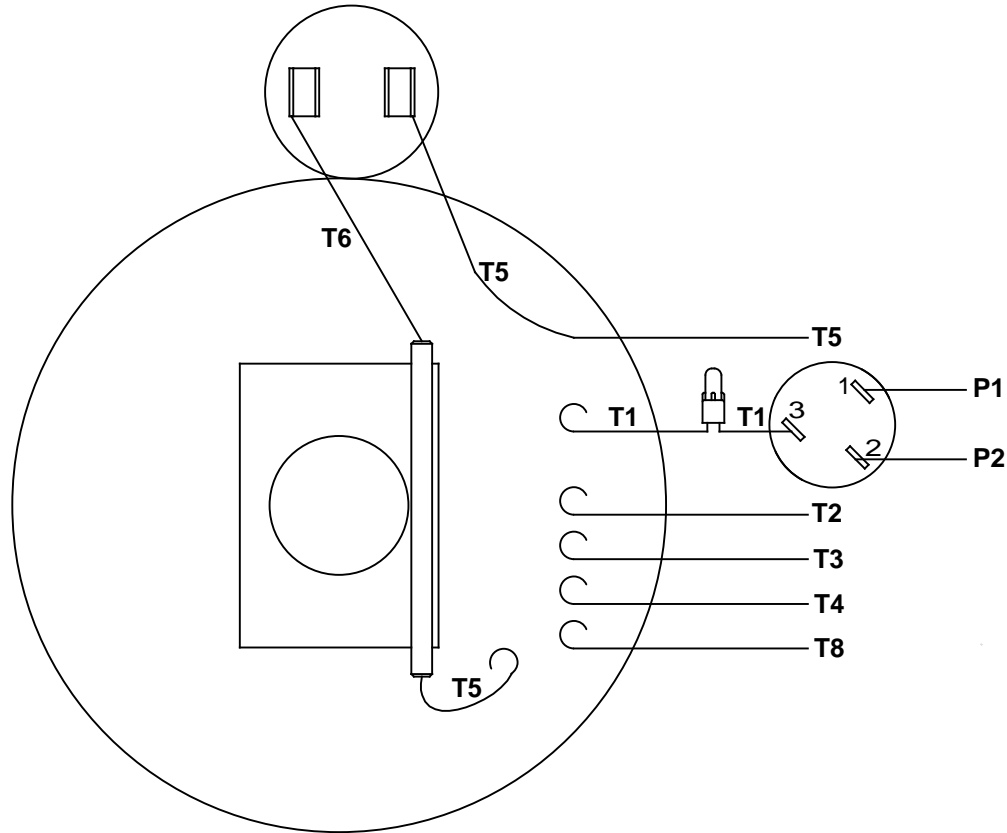
NOTES:

- 1) MANUAL OVERLOAD PROTECTOR.
- 2) FLINGER ON SHAFT.
- 3) GASKETS THROUGHOUT.
- 4) DRAIN HOLE IN FRAME (BOTH ENDS).

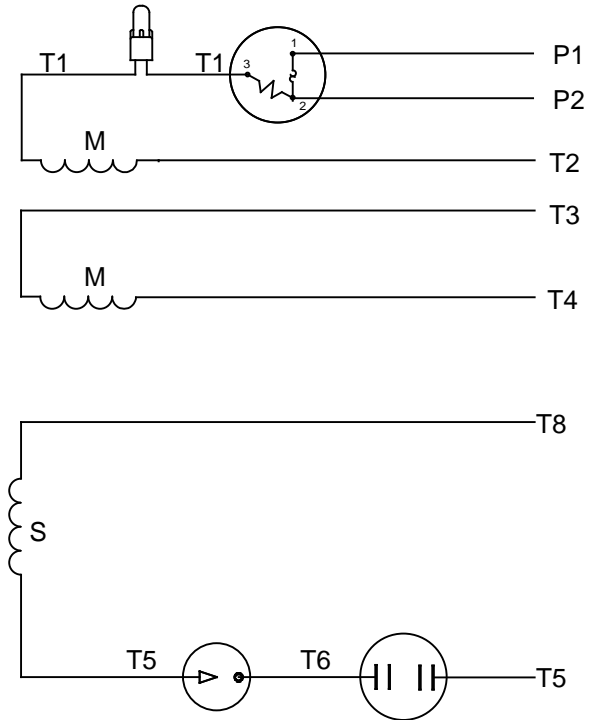


		TOLERANCES UNLESS SPECIFIED		 ELECTRIC MOTORS GEARMOTORS AND DRIVES	DRAWN KMM 08/09/07
		DEC	INCHES		CHK
		.X	±.1		APPR
		.XX	±.03		SCALE 3:8
		.XXX	±.005		REF 032507
01	ADD DRAIN HOLE NOTE PER ISAAC 08-1915	LST 5/7/08	XX .XXXX ±.0005	MAT'L	FMF 110088.00
NO	REVISION	BY & DATE	CHK ANG ±1/2°	FINISH GENERAL PURPOSE	PAGE OF
THIRD ANGLE PROJECTION 			RFP	PREV	SIZE DRAWING NO
			NETWORK FILE NAME		A 028774
					REV 01

VIEW FROM OUTSIDE OF MOTOR AT SWITCH END



LINE LEADS



RBC PROPRIETARY AND CONFIDENTIAL INFORMATION
 This document is the property of REGAL BELOIT CORPORATION ("RBC") including its subsidiaries and divisions and contains proprietary information of RBC. This document is loaned on the express condition that neither it nor the information contained therein shall be disclosed to others without the express written consent of RBC, and that the information shall be used by the recipient only as approved expressly by RBC. This document shall be returned to RBC upon its request. This document may be subject to certain restrictions under U.S. export control laws and regulations.

	ROTATION FACING LEAD END	L1	L2	JOIN	INSULATE SEPARATELY
HIGH VOLT	C.C.W.	P1	T4 T5	T2,T3 T8	P2
	C.W.	P1	T4 T8	T2,T3 T5	P2
LOW VOLT	C.C.W.	P1	T2,T4 T5	P2,T3 T8	---
	C.W.	P1	T2,T4 T8	P2,T3 T5	---

		TOLERANCES UNLESS SPECIFIED		LEESON	ELECTRIC MOTORS GEARMOTORS AND DRIVES	DRAWN	
NO	REVISION	DEC	INCHES			WLV	08/20/79
		.X	±.1			CHK	ADN 08/27/76
		.XX	±.01			APPR	WRK 08/27/76
06	REDRAWN IN SOLIDWORKS	VJB	7/22/2011	.XXX	±.005	TITLE	EXTERNAL WIRING DIAGRAM TYPE "C" W/PROTECTOR
05	REDRAWN ON CAD	DBT	05/27/97	.XXXX	±.0005	MAT'L	DECAL - 004011
		CHK	ANG	±1/2°	FINISH	SCALE	1:1
		RFP	PREV			REF	
		NETWORK FILE NAME	00500303	SIZE	DRAWING NO	REV	
				A	005003-03	06	





CERTIFICATION DATA SHEET

**1051 CHEYENNE AVE.
GRAFTON, WI 53024
PH. 262-377-8810**

CONN. DIAGRAM: 005003.03

CATALOG #: 110088.00

OUTLINE: 028774-650B

MOUNTING: F1 ONLY

WINDING #: C634259 FR 3 A

TYPICAL MOTOR PERFORMANCE DATA

HP	kW	SYNC. RPM	F.L. RPM	FRAME	ENCLOSURE	KVA CODE	DESIGN
1	0.75	1800	1725	56	TEFC	K	N

PH	Hz	VOLTS	AMPS	START TYPE	DUTY	INSL	S.F.	AMB°C
1	60	115/208-230	14/7.1-7	ACROSS THE LINE	CONTINUOUS	B4	1.15	40

FULL LOAD EFF:	74	3/4 LOAD EFF:	67.8	1/2 LOAD EFF:	61.6	GTD. EFF	ELEC. TYPE
FULL LOAD PF:	63	3/4 LOAD PF:	57.8	1/2 LOAD PF:	46.9	70	CAP START IND RUN

F.L. TORQUE	LOCKED ROTOR AMPS	L.R. TORQUE	B.D. TORQUE	F.L. RISE°C
48.16 OZ-FT	74.6 / 37.3	141.8 OZ-FT 294 %	132.6 OZ-FT 275 %	88.6

SOUND PRESSURE @ 3 FT.	SOUND POWER	ROTOR WK^2	MAX. WK^2	SAFE STALL TIME	STARTS / HOUR	APPROX. MOTOR WGT
0 dBA	10 dBA	0.099 LB-FT^2	0 LB-FT^2	10 SEC.	0	33 LBS.

***** SUPPLEMENTAL INFORMATION *****

DE BRACKET TYPE	ODE BRACKET TYPE	MOUNT TYPE	ORIENTATION	SEVERE DUTY	HAZARDOUS LOCATION	DRIP COVER	SCREENS	PAINT
STANDARD	STANDARD	RIGID	HORIZONTAL	FALSE	NONE	FALSE	NONE	RED (ENAMEL)

BEARINGS		GREASE	SHAFT TYPE	SPECIAL DE	SPECIAL ODE	SHAFT MATERIAL	FRAME MATERIAL
DE	ODE						
BALL	BALL	POLYREX EM	STANDARD 56	NONE	NONE	1144 STRESSPROOF (C-223)	ROLLED STEEL
6203	6203						

THERMO-PROTECTORS				THERMISTORS	CONTROL	SPACE HEATERS
THERMOSTATS	PROTECTORS	WDG RTDs	BRG RTDs			
NONE	MANUAL	NONE	NONE	NONE	FALSE	NONE VOLTS

*
N
O
T
E
S

INVERTER TORQUE: NONE
INV. HP SPEED RANGE: NONE
ENCODER: NONE NONE NONE NONE NONE PPR
BRAKE: NONE NONE NONE P/N NONE NONE NONE NONE FT-LB NONE V NONE HZ



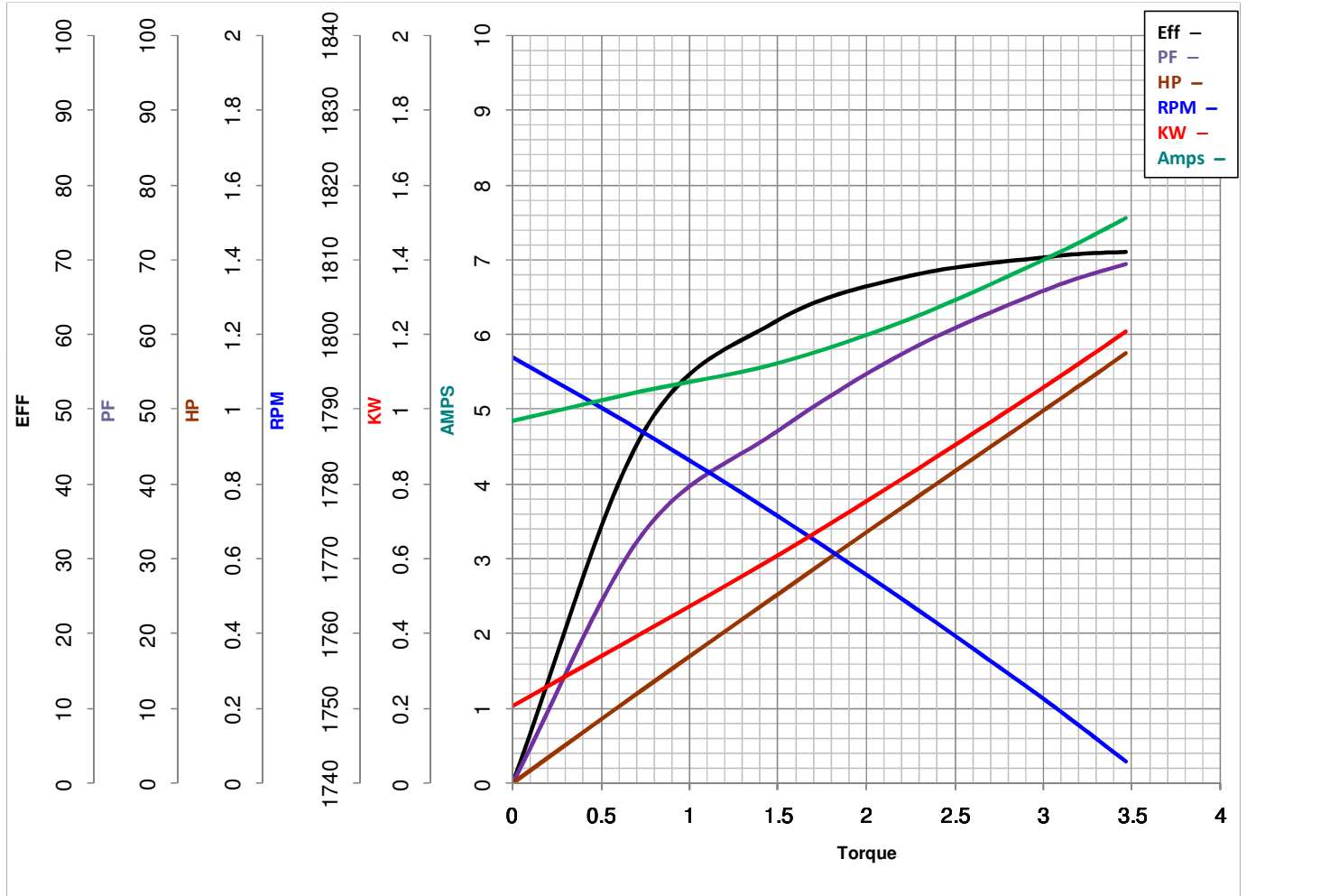
LEESON ELECTRIC CORPORATION
 TYPICAL PERFORMANCE CURVE for AC MOTOR

Model No 110088.00

Curve at 230 Volts HP 1.00 PHASE 1
60 HZ
1 HP VOLTS 115/208-230

Catalog No 110088.00

HZ 60 RPM 1725



Torque in Lb.Ft

FL TORQUE 3.01 Lb.Ft
 BD TORQUE 8.3 Lb.Ft
 LR TORQUE 8.863 Lb.Ft

FL AMPS 14/7.1-7
 PU TORQUE 7.4 Lb.Ft
 LR AMPS 37.3

WINDING C634259-3

Date 4/23/2018