

PRODUCT INFORMATION PACKET



Model No: 110090.00
Catalog No: 110090.00
2 HP Agricultural Motor, 1 phase, 1800 RPM, 230 V, 56HZ Frame, TEFC
Agricultural Motors



Regal and Leeson are trademarks of Regal Beloit Corporation or one of its affiliated companies.
©2020 Regal Beloit Corporation, All Rights Reserved. MC017097E

The Regal logo is located in the bottom right corner. It features the word "REGAL" in a white, bold, sans-serif font, set against a dark grey, trapezoidal background. The background of the entire page on the right side is a blue gradient with a halftone dot pattern.



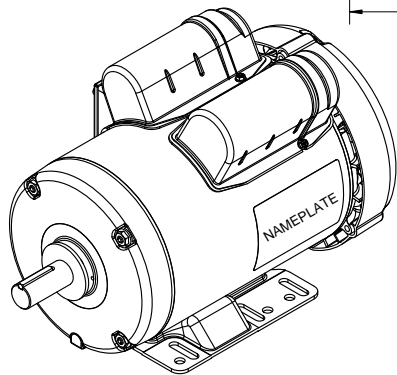
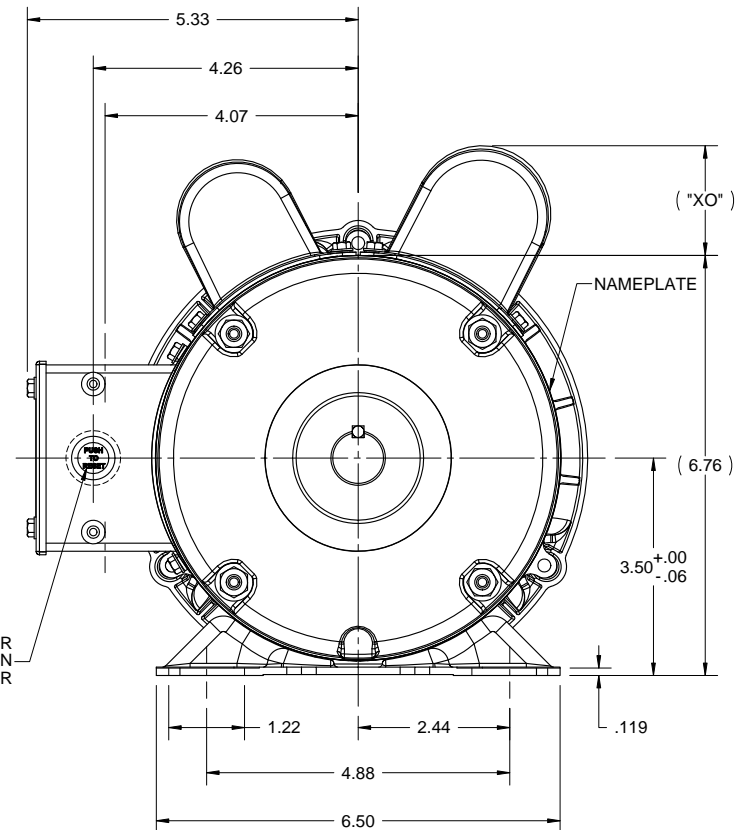
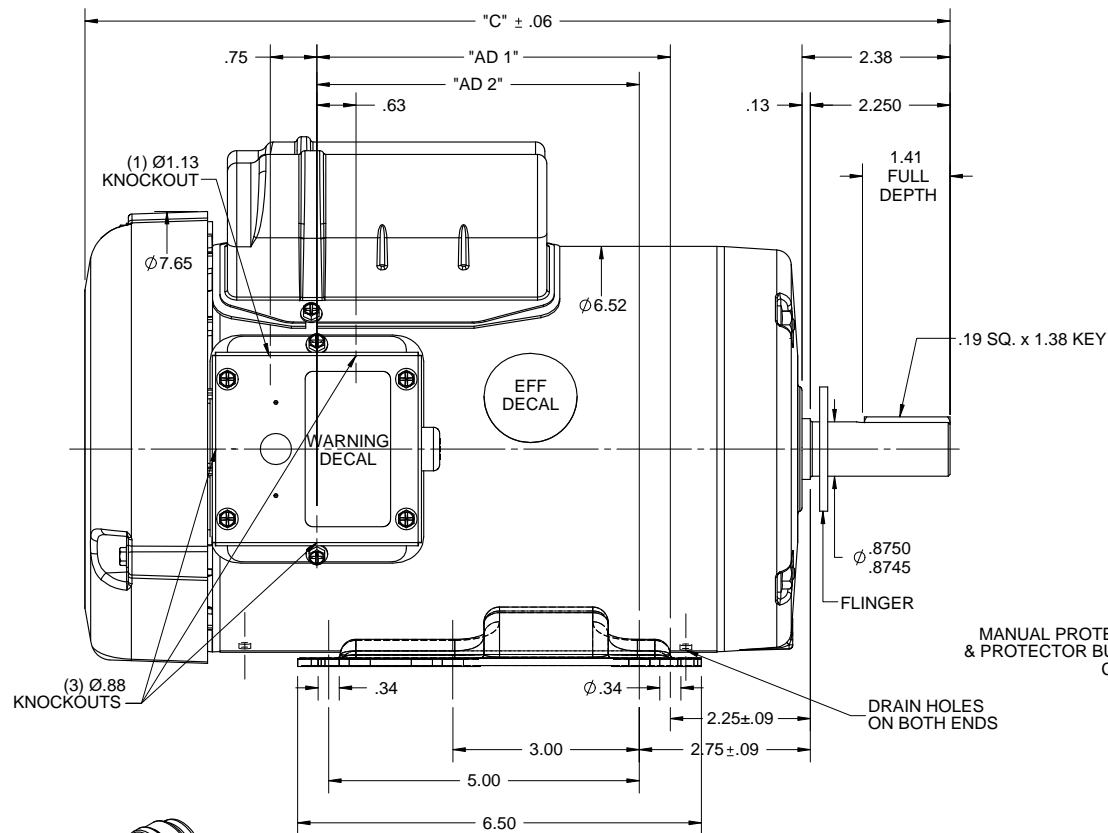
Nameplate Specifications

Output HP	2 Hp	Output KW	1.5 kW
Frequency	60 Hz	Voltage	230 V
Current	9.2 A	Speed	1725 rpm
Service Factor	1.15	Phase	1
Efficiency	82 %	Power Factor	86
Duty	Continuous	Insulation Class	F
Design Code	L	KVA Code	H
Frame	56HZ	Enclosure	Totally Enclosed Fan Cooled
Thermal Protection	Manual	Ambient Temperature	40 °C
Drive End Bearing Size	6205	Opp Drive End Bearing Size	6203
UL	Recognized	CSA	Y
CE	N	IP Code	54

Technical Specifications

Electrical Type	Capacitor Start Capacitor Run	Starting Method	Across The Line
Poles	4	Rotation	Selective Counterclockwise
Resistance Main	.947 Ohms	Mounting	Rigid base
Motor Orientation	Horizontal	Drive End Bearing	Ball
Opp Drive End Bearing	Ball	Frame Material	Rolled Steel
Shaft Type	NEMA 145T	Overall Length	13.93 in
Frame Length	8.00 in	Shaft Diameter	0.875 in
Shaft Extension	2.25 in	Assembly/Box Mounting	F1 ONLY
Connection Drawing	005056.03	Outline Drawing	028769-800C

This is an uncontrolled document once printed or downloaded and is subject to change without notice. Date Created:14/10/2020

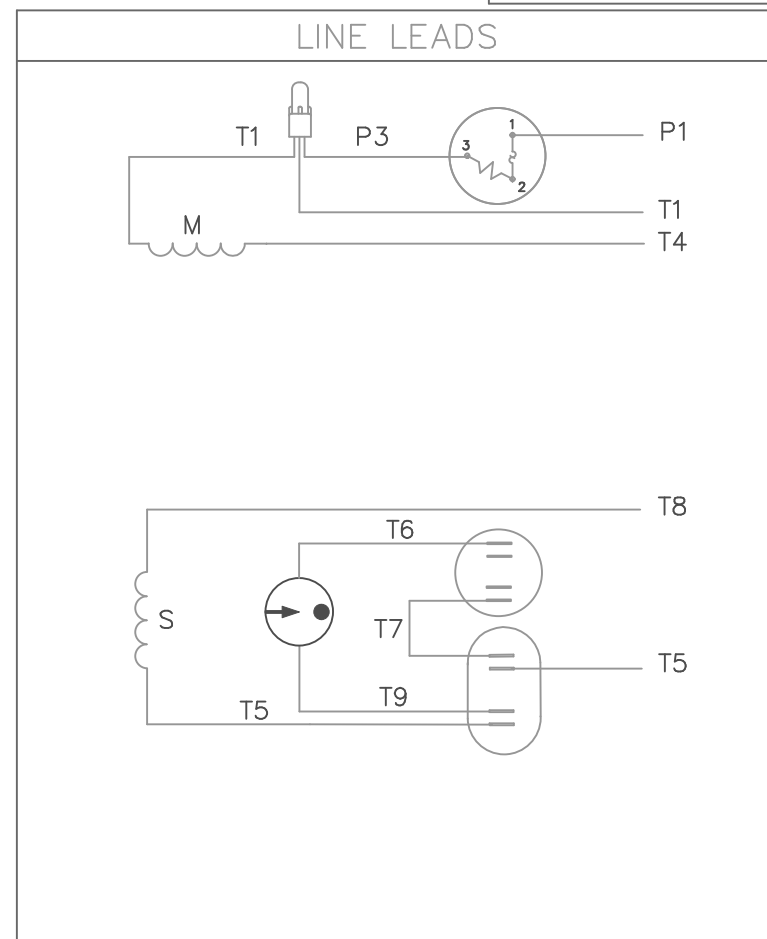
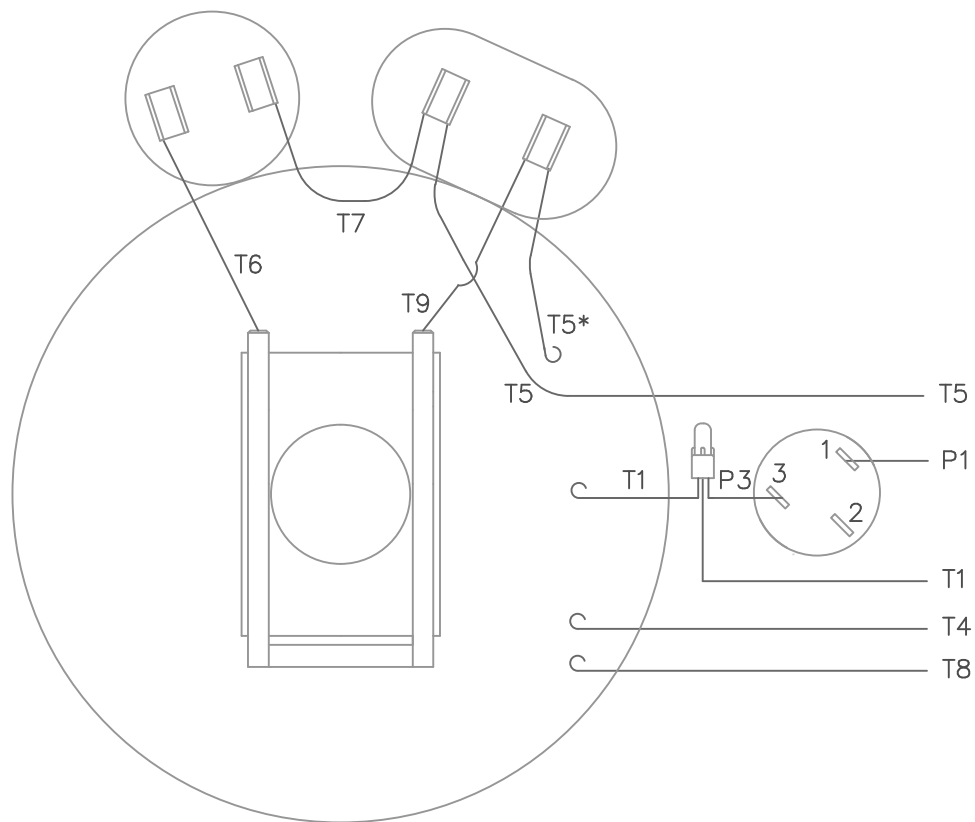


FARM DUTY MOTOR
 NOTES:
 1) FLINGER ON SHAFT
 2) GASKETS THROUGHOUT

DASH NO.	"C"	"AD 1"	"AD 2"	CAP DASH	"XO"
700	12.93	4.69	4.19	A	1.15
750	13.43	5.19	4.69	B	1.60
800	13.93	5.69	5.19	C	1.82
850	14.43	6.19	5.69		

DRAWING REVISION D	REVISION BY MVG	DATE 04/07/2017	TOLERANCES UNLESS OTHERWISE SPECIFIED: DEC. INCH mm ANGLE -X -0.1 [-2.5] ±7°30' .XX ±0.03 [+0.76] .XXX ±0.005 [+0.127] .XXXX ±0.0005 [+0.0127] REMOVE BURRS & BREAK SHARP EDGES: .003/.015 [.076/.381] X 45° CORNER FILLETS: R.02 [.51] MACHINED SURFACES: 200 / 5.1 INCH mm mm SHOWN IN [BRACKETS]	DRAWN BY KMM	DATE 07/10/07	DESCRIPTION REGAL ™ Regal Beloit America, Inc. OUTLINE 56HZ/140T FRAME, TEFC - RIGID	
ECO ECO-0121320	APPROVED BY PGK	DATE 04/07/2017		APPROVED BY		MATERIAL	
ECO DESCRIPTION ADDED DASH # 850 COPYRIGHT REGAL BELOIT AMERICA, INC. ALL RIGHTS RESERVED. PROPRIETARY AND CONFIDENTIAL INFORMATION - THIS DOCUMENT IS THE PROPERTY OF REGAL BELOIT AMERICA, INC. (OWNER) AND CONTAINS OWNER'S PROPRIETARY INFORMATION. ANY PERSON, CORPORATION OR OTHER FIRM RECEIVING IT IS DEEMED, BY RECEIVING IT, TO AGREE THAT IT, AND/OR ANY PART OF IT, SHALL NOT BE DISCLOSED TO ANY PERSON, CORPORATION OR OTHER ENTITY, DUPLICATED, AND/OR USED, EXCEPT AS EXPRESSLY APPROVED IN WRITING IN ADVANCE BY OWNER. THIS DOCUMENT SHALL BE RETURNED TO OWNER UPON REQUEST. IT MAY BE SUBJECT TO CERTAIN RESTRICTIONS UNDER APPLICABLE EXPORT CONTROL LAWS AND REGULATIONS.				DATE		PROCESS/FINISH	
				THIRD ANGLE PROJECTION	SIZE B	DRAWING NUMBER 028769	SHEET 1 OF 1

VIEW FROM OUTSIDE OF MOTOR AT SWITCH END.



ROTATION FACING LEAD END	L1	L2	JOIN
C.C.W.	P1	T4, T5	T1, T8
C.W.	P1	T4, T8	T1, T5

* THIS LEAD MAY BE WHITE

			TOLERANCES UNLESS SPECIFIED		LEESON	ELECTRIC MOTORS GEARMOTORS AND DRIVES	DRAWN WLW 08/30/76 CHK WRK 09/24/76 APPD		
			DEC.	INCHES					
			.X	±.1					
08	ALTERNATE T5 LEAD MARKING WAS RED	RLW 8/6/02	.XX	±.01	TITLE	EXTERNAL WIRING DIAGRAM TYPE "K" W/ PROTECTOR	SCALE 1=1		
07	ADDED ALTERNATE T5 LEAD MARKING	RLW 5/31/02	KH	.XXX ±.005			REF		
06	REDRAWN TO CAD	DBT 5/31/02		.XXXX ±.0005	MAT'L.	DECAL - 004015	FMF 6K17FB4		
NO.	REVISION	BY & DATE	CHK	ANG ±1/2'	FINISH		PREV		
THIS DRAWING IN DESIGN AND DETAIL IS OUR PROPERTY AND MUST NOT BE USED EXCEPT IN CONNECTION WITH OUR WORK ALL RIGHTS OF DESIGN AND INVENTION ARE RESERVED THIS IS AN ELECTRONICALLY GENERATED DOCUMENT - DO NOT SCALE THIS PRINT			RFP		CAD FILE	00505603	SIZE A	DRAWING NO. 005056-03	REV. 08
			DIST	BRF-NLV					



CERTIFICATION DATA SHEET

1051 CHEYENNE AVE.
GRAFTON, WI 53024
PH. 262-377-8810

CONN. DIAGRAM: 005056.03

CATALOG #: 110090.00

OUTLINE: 028769-800C

MOUNTING: F1 ONLY

WINDING #: K634271 FR 2 C

TYPICAL MOTOR PERFORMANCE DATA

HP	kW	SYNC. RPM	F.L. RPM	FRAME	ENCLOSURE	KVA CODE	DESIGN
2	1.49	1800	1725	56HZ	TEFC	H	L

PH	Hz	VOLTS	AMPS	START TYPE	DUTY	INSL	S.F.	AMB°C
1	60	230	9.2	ACROSS THE LINE	CONTINUOUS	F4	1.15	40

FULL LOAD EFF:	82	3/4 LOAD EFF:	73.9	1/2 LOAD EFF:	68.3	GTD. EFF		ELEC. TYPE	
FULL LOAD PF:	86	3/4 LOAD PF:	78.5	1/2 LOAD PF:	69.8	78.5	CAP START CAP RUN		

F.L. TORQUE	LOCKED ROTOR AMPS	L.R. TORQUE	B.D. TORQUE	F.L. RISE°C
6 LB-FT	64.5	16.8 LB-FT 280 %	16.3 LB-FT 272 %	107.1

SOUND PRESSURE @ 3 FT.	SOUND POWER	ROTOR WK^2	MAX. WK^2	SAFE STALL TIME	STARTS / HOUR	APPROX. MOTOR WGT
56 dBA	66 dBA	0.15 LB-FT^2	0 LB-FT^2	10 SEC.	0	46 LBS.

*** SUPPLEMENTAL INFORMATION ***

DE BRACKET TYPE	ODE BRACKET TYPE	MOUNT TYPE	ORIENTATION	SEVERE DUTY	HAZARDOUS LOCATION	DRIP COVER	SCREENS	PAINT
STANDARD	STANDARD	RIGID	HORIZONTAL	FALSE	NONE	FALSE	NONE	RED - LEESON FARM DUTY

BEARINGS		GREASE	SHAFT TYPE	SPECIAL DE	SPECIAL ODE	SHAFT MATERIAL	FRAME MATERIAL
DE	ODE						
BALL	BALL	POLYREX EM	SGL SPL EXT	SPECIAL	NONE	1144 STRESSPROOF (C-223)	ROLLED STEEL
6205	6203						

THERMO-PROTECTORS				THERMISTORS	CONTROL	SPACE HEATERS
THERMOSTATS	PROTECTORS	WDG RTDs	BRG RTDs			
NONE	MANUAL	NONE	NONE	NONE	FALSE	NONE VOLTS

*
N
O
T
E
S

INVERTER TORQUE: NONE
INV. HP SPEED RANGE: NONE
ENCODER: NONE
NONE NONE
NONE NONE PPR
BRAKE: NONE NONE
NONE P/N NONE
NONE NONE
NONE FT-LB NONE V NONE HZ

