

PRODUCT INFORMATION PACKET



Model No: 110910.00

Catalog No: 110910.00

General Purpose Motor, 1.50 HP, 1 Ph, 60 Hz, 115/208-230 V, 1800 RPM, 56HC Frame, TEFC



Regal and Leeson are trademarks of Regal Rexnord Corporation or one of its affiliated companies.

©2022 Regal Rexnord Corporation, All Rights Reserved. MC017097E





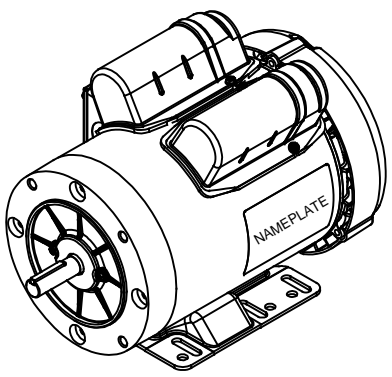
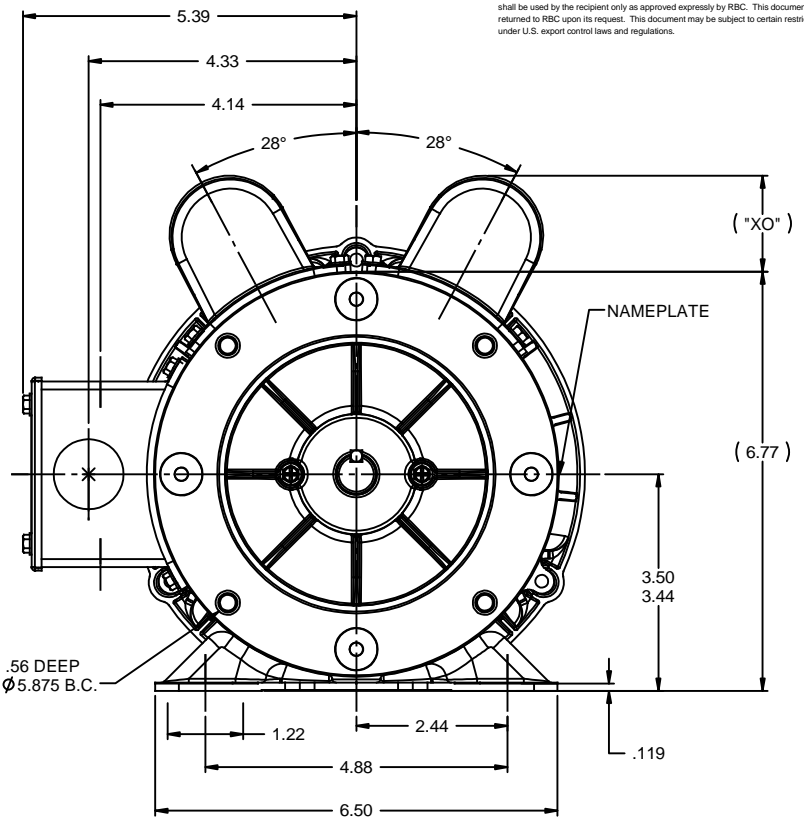
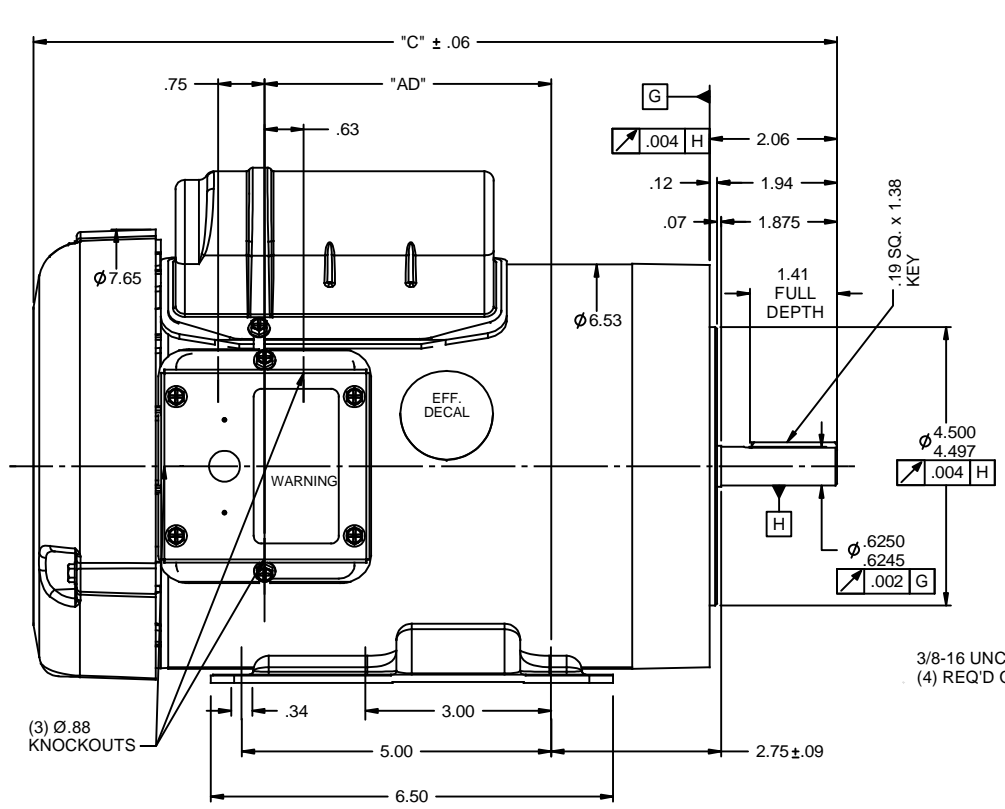
Nameplate Specifications

Output HP	1.50 Hp	Output KW	1.1 kW
Frequency	60 Hz	Voltage	115/208-230 V
Current	17.2/8.8-8.6 A	Speed	1725 rpm
Service Factor	1	Phase	1
Efficiency	79 %	Power Factor	73
Duty	Continuous	Insulation Class	B
Design Code	L	KVA Code	J
Frame	56HC	Enclosure	Totally Enclosed Fan Cooled
Thermal Protection	No Protection	Ambient Temperature	40 °C
Drive End Bearing Size	6203	Opp Drive End Bearing Size	6203
UL	Recognized	CSA	Y
CE	N	IP Code	43
Number of Speeds	1		

Technical Specifications

Electrical Type	Capacitor Start Capacitor Run	Starting Method	Across The Line
Poles	4	Rotation	Selective Counterclockwise
Resistance Main	1.32 Ohms	Mounting	Rigid Base
Motor Orientation	Horizontal	Drive End Bearing	Ball
Opp Drive End Bearing	Ball	Frame Material	Rolled Steel
Shaft Type	NEMA 56	Overall Length	12.98 in
Frame Length	7.50 in	Shaft Diameter	0.625 in
Shaft Extension	1.88 in	Assembly/Box Mounting	F1 ONLY
Outline Drawing	028861-750B	Connection Drawing	005054.01

RBC PROPRIETARY AND CONFIDENTIAL INFORMATION
 This document is the property of REGAL BELOIT CORPORATION ("RBC") including its subsidiaries and divisions and contains proprietary information of RBC. This document is loaned on the express condition that neither it nor the information contained therein shall be disclosed to others without the express written consent of RBC, and that the information shall be used by the recipient only as approved expressly by RBC. This document shall be returned to RBC upon its request. This document may be subject to certain restrictions under U.S. export control laws and regulations.



3/8-16 UNC-2B x .56 DEEP
 (4) REQ'D ON A Ø5.875 B.C.

DASH NO.	"C"	"AD"	CAP. DASH	"XO"
700	12.48	4.13	A	1.06
750	12.98	4.63	B	1.51
800	13.48	5.13	C	1.73
850	13.98	5.63		

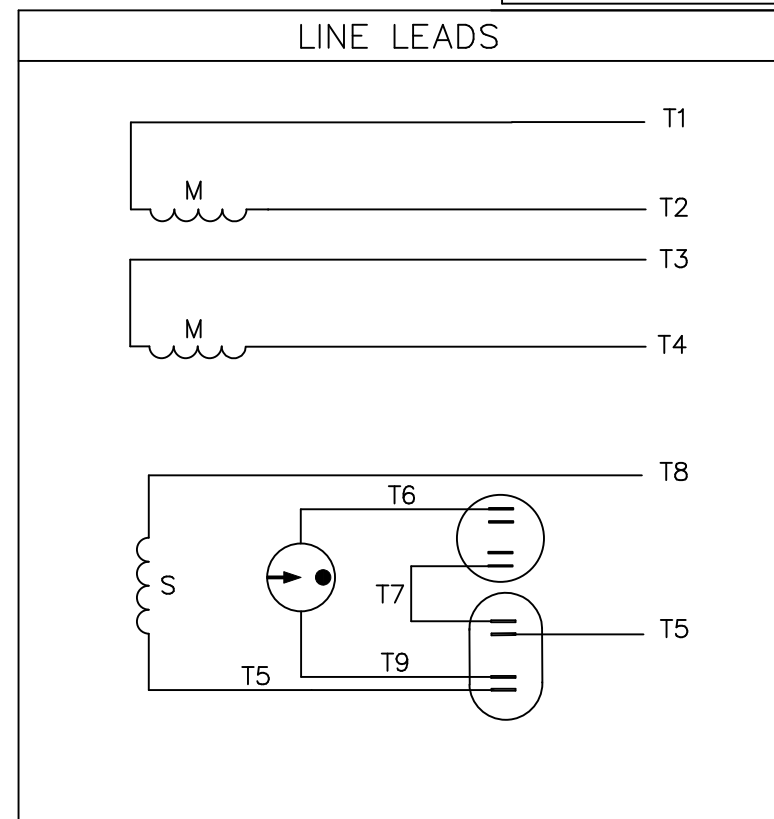
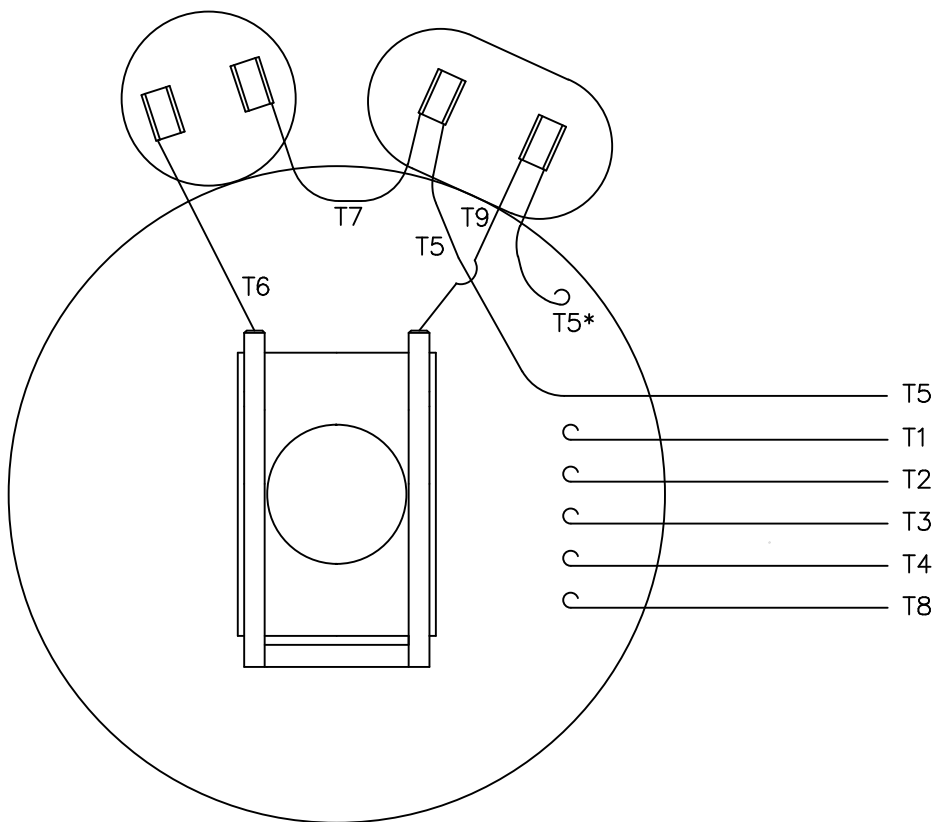
NOTES:
 1) GASKETS THROUGHOUT.

REVISION		BY & DATE	CHK	ANG	FINISH	SCALE	PAGE	OF	REV
THIRD ANGLE PROJECTION			RFP	08/04/08	PREV	1:2	1	1	
TOLERANCES UNLESS SPECIFIED:									
DEC INCHES									
X ±.1									
.XX ±.03						TITLE OUTLINE - G56HC FRAME			
.XXX ±.005						T.E.F.C. - RIGID "C"			
.XXXX ±.0005						MAT'L			
NO						DRAWN GRB 08/04/08			
						CHK DJ 08/04/08			
						APPR			
						REF 028802			
						FMF 110910.00			
						PAGE 1 OF 1			
						SIZE B DRAWING NO 028861			
						NETWORK FILE NAME			



**ELECTRIC MOTORS
 GEARMOTORS
 AND DRIVES**

VIEW FROM OUTSIDE OF MOTOR AT SWITCH END.



	ROTATION FACING LEAD END	L1	L2	JOIN
HIGH VOLT	C.C.W.	T1	T4 T5	T2,T3 T8
	C.W.	T1	T4 T8	T2,T3 T5
LOW VOLT	C.C.W.	T1 T3,T8	T2,T4 T5	
	C.W.	T1,T3 T5	T2,T4 T8	

* THIS LEAD MAY BE WHITE

		TOLERANCES UNLESS SPECIFIED		TITLE	DRAWN JRW 09/27/74			
		DEC.	INCHES			CHK TEM		
			.X ±.1	ELECTRIC MOTORS GEARMOTORS AND DRIVES	APPD 10/11/74			
11	ALTERNATE T5 LEAD MARKING WAS RED	RLW 8/6/02	.XX ±.01		EXT. WIRING DIAGRAM TYPE "K" W/O PROTECTOR	SCALE 1=1		
10	ADDED ALTERNATE T5 LEAD MARKING	RLW 6/5/02 KH	.XXX ±.005	REF A-005053				
09	REDRAWN TO CAD	DBT 05/28/97	.XXXX ±.0005	MAT'L. DECAL-004012	FMF W-K6343			
NO.	REVISION	BY & DATE	CHK ANG ±1/2'	FINISH	PREV			
THIS DRAWING IN DESIGN AND DETAIL IS OUR PROPERTY AND MUST NOT BE USED EXCEPT IN CONNECTION WITH OUR WORK ALL RIGHTS OF DESIGN AND INVENTION ARE RESERVED THIS IS AN ELECTRONICALLY GENERATED DOCUMENT - DO NOT SCALE THIS PRINT				RFP	CAD FILE 00505401	SIZE A	DRAWING NO. 005054-01	REV. 11
				DIST BRF-NLV				





CERTIFICATION DATA SHEET

**1051 CHEYENNE AVE.
GRAFTON, WI 53024
PH. 262-377-8810**

CONN. DIAGRAM: 005054.01

CATALOG #: 110910.00

OUTLINE: 028861-750B

MOUNTING: F1 ONLY

WINDING #: K634119 FR 3 B

TYPICAL MOTOR PERFORMANCE DATA

HP	kW	SYNC. RPM	F.L. RPM	FRAME	ENCLOSURE	KVA CODE	DESIGN
1 1/2	1.12	1800	1725	56HC	TEFC	J	L

PH	Hz	VOLTS	AMPS	START TYPE	DUTY	INSL	S.F.	AMB°C
1	60	115/208-230	17.2/8.8-8.6	ACROSS THE LINE	CONTINUOUS	B4	1.0	40

FULL LOAD EFF:	79	3/4 LOAD EFF:	78.7	1/2 LOAD EFF:	75.8	GTD. EFF		ELEC. TYPE	
FULL LOAD PF:	73	3/4 LOAD PF:	65.8	1/2 LOAD PF:	53.2	75.5		CAP START CAP RUN	

F.L. TORQUE	LOCKED ROTOR AMPS	L.R. TORQUE	B.D. TORQUE	F.L. RISE°C
4.48 LB-FT	100 / 50	13 LB-FT 289 %	10.7 LB-FT 238 %	82

SOUND PRESSURE @ 3 FT.	SOUND POWER	ROTOR WK^2	MAX. WK^2	SAFE STALL TIME	STARTS / HOUR	APPROX. MOTOR WGT
62 dBA	72 dBA	0.14 LB-FT^2	0.1 LB-FT^2	10 SEC.	0	42 LBS.

***** SUPPLEMENTAL INFORMATION *****

DE BRACKET TYPE	ODE BRACKET TYPE	MOUNT TYPE	ORIENTATION	SEVERE DUTY	HAZARDOUS LOCATION	DRIP COVER	SCREENS	PAINT
C-FACE	STANDARD	RIGID	HORIZONTAL	FALSE	NONE	FALSE	NONE	BLUE - LEESON (ENAMEL)

BEARINGS		GREASE	SHAFT TYPE	SPECIAL DE	SPECIAL ODE	SHAFT MATERIAL	FRAME MATERIAL
DE	ODE						
BALL	BALL	POLYREX EM	STANDARD 56	NONE	NONE	1144 STRESSPROOF (C-223)	ROLLED STEEL
6203	6203						

THERMO-PROTECTORS				THERMISTORS	CONTROL	SPACE HEATERS
THERMOSTATS	PROTECTORS	WDG RTDs	BRG RTDs			
NONE	NOT	NONE	NONE	NONE	FALSE	NONE VOLTS

*
N
O
T
E
S

INVERTER TORQUE: NONE
INV. HP SPEED RANGE: NONE
ENCODER: NONE
NONE NONE
NONE NONE PPR
BRAKE: NONE NONE
NONE P/N NONE
NONE NONE
NONE FT-LB NONE V NONE Hz



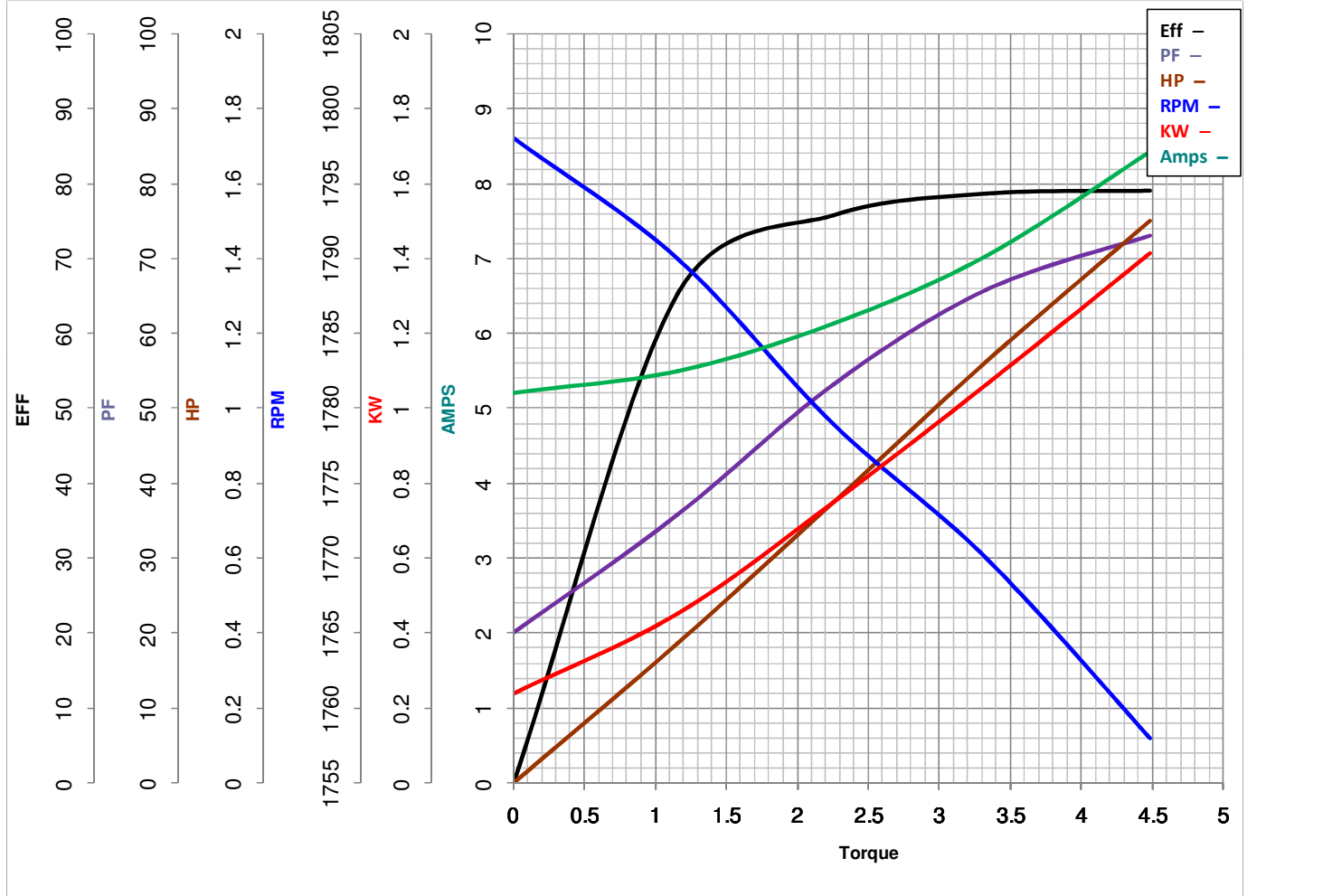
LEESON ELECTRIC CORPORATION
 TYPICAL PERFORMANCE CURVE for AC MOTOR

Model No 110910.00

Curve at 230 Volts HP 1.50 PHASE 1
60 HZ
1.5 HP VOLTS 115/208-230

Catalog No 110910.00

HZ 60 RPM 1725



FL TORQUE	<u>4.48</u>	Lb.Ft	FL AMPS	<u>17.2/8.8-8.6</u>
BD TORQUE	<u>10.7</u>	Lb.Ft	PU TORQUE	<u>9.3</u> Lb.Ft
LR TORQUE	<u>13</u>	Lb.Ft	LR AMPS	<u>50</u>
WINDING	K634119-3		Date	<u>4/23/2018</u>