

PRODUCT INFORMATION PACKET



Model No: 120274.00

Catalog No: 120274.00

General Purpose Motor, 2 HP, 1 Ph, 60 Hz, 115/208-230 V, 1800 RPM, 145TC Frame, TEFC



Regal and Leeson are trademarks of Regal Rexnord Corporation or one of its affiliated companies.

©2022 Regal Rexnord Corporation, All Rights Reserved. MC017097E



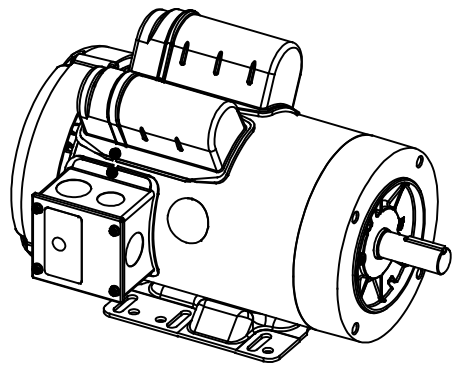
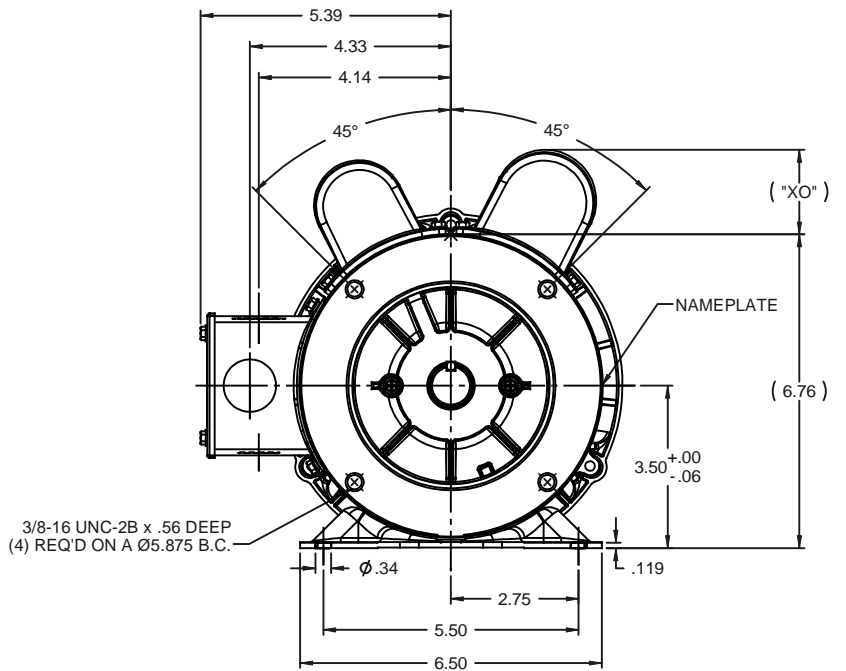
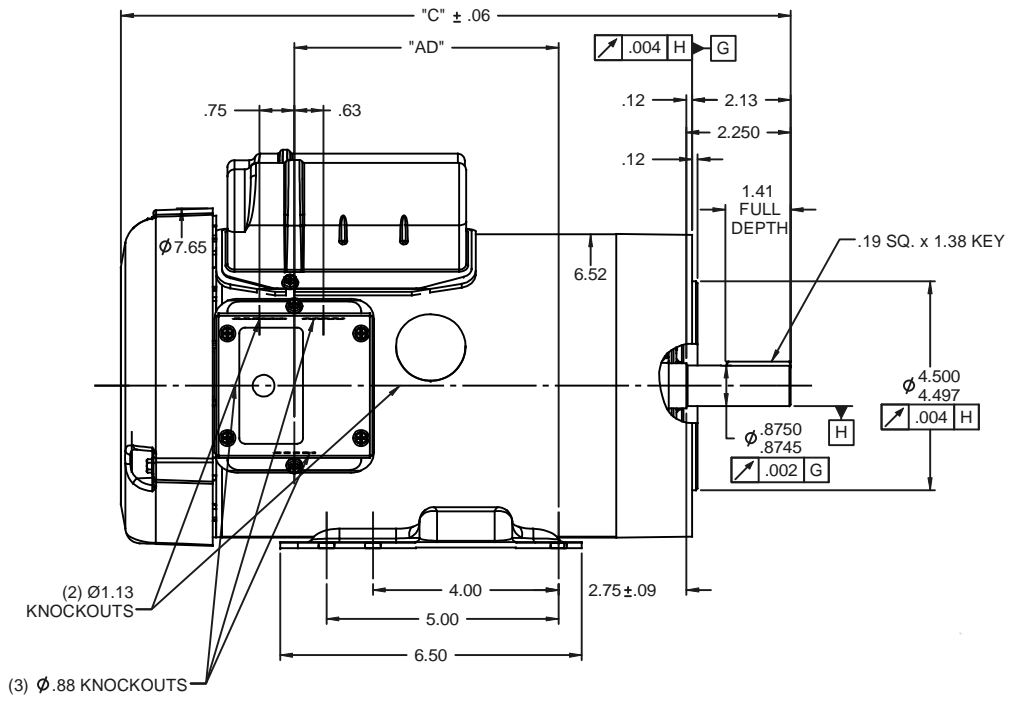


Nameplate Specifications

Output HP	2 Hp	Output KW	1.5 kW
Frequency	60 Hz	Voltage	115/208-230 V
Current	18.4/9.2 A	Speed	1740 rpm
Service Factor	1	Phase	1
Efficiency	82 %	Power Factor	86
Duty	Continuous	Insulation Class	B
Design Code	L	KVA Code	H
Frame	145TC	Enclosure	Totally Enclosed Fan Cooled
Thermal Protection	No Protection	Ambient Temperature	40 °C
Drive End Bearing Size	6205	Opp Drive End Bearing Size	6203
UL	Recognized	CSA	Y
CE	N	IP Code	43
Number of Speeds	1		

Technical Specifications

Electrical Type	Capacitor Start Capacitor Run	Starting Method	Across The Line
Poles	4	Rotation	Selective Counterclockwise
Resistance Main	0 Ohms	Mounting	Rigid Base
Motor Orientation	Horizontal	Drive End Bearing	Ball
Opp Drive End Bearing	Ball	Frame Material	Rolled Steel
Shaft Type	T	Overall Length	14.43 in
Frame Length	8.50 in	Shaft Diameter	0.875 in
Shaft Extension	2.25 in	Assembly/Box Mounting	F1 ONLY
Outline Drawing	028800-850B	Connection Drawing	005054.01



DASH NO.	"C"	"AD"	CAP DASH	"XO"
700	12.93	4.19	A	1.15
750	13.43	4.69	B	1.60
800	13.93	5.19	C	1.82
850	14.43	5.69		

NOTE:
1) GASKETS THROUGHOUT

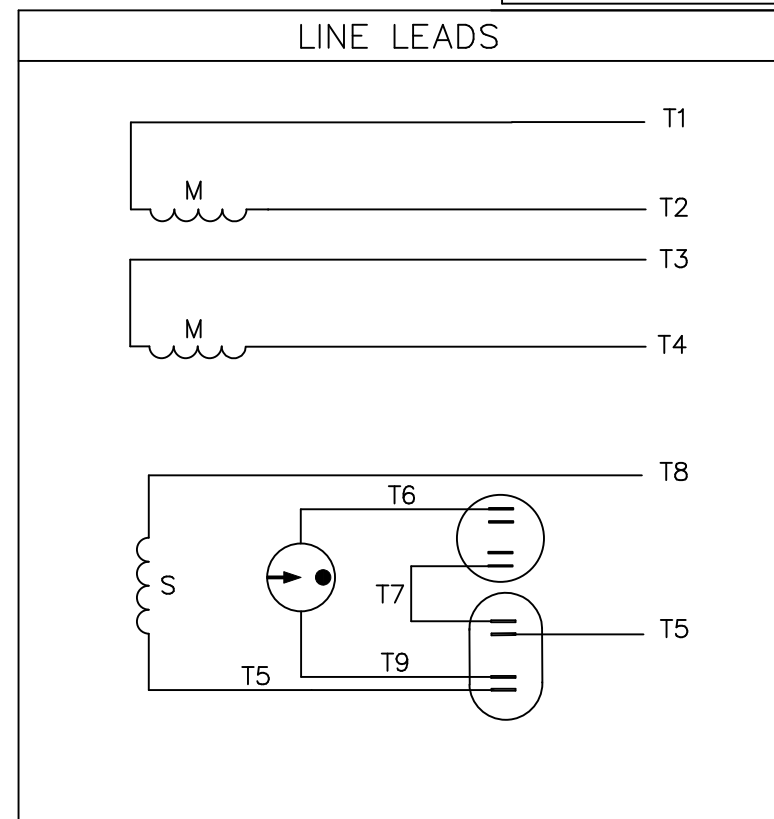
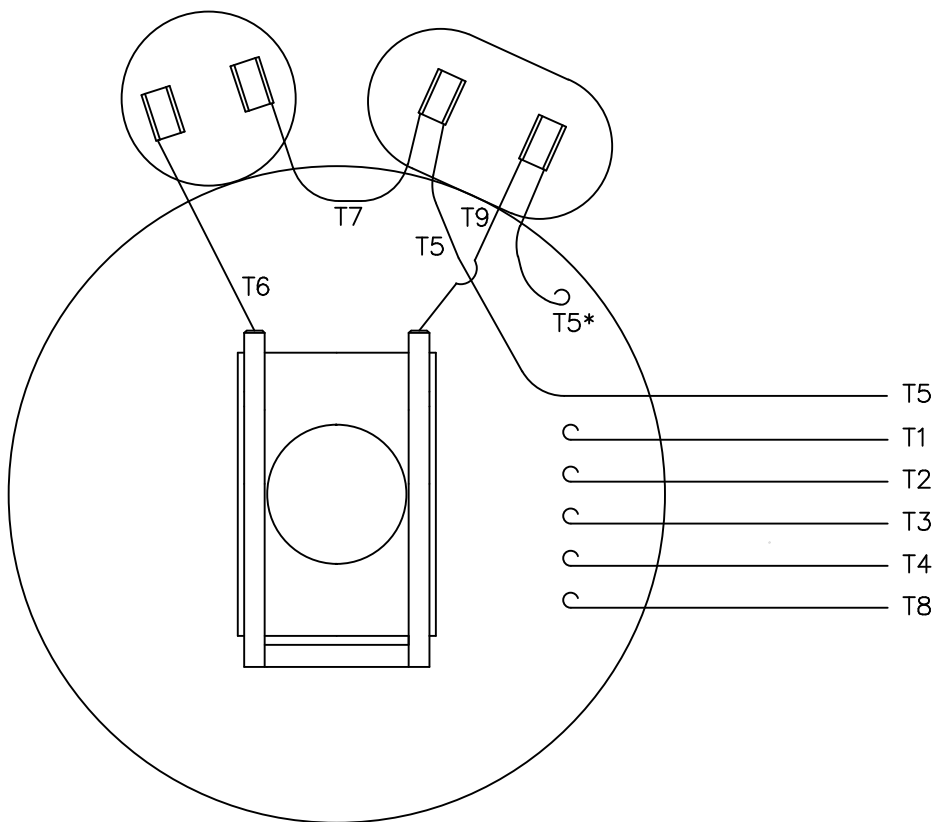
REVISION		BY & DATE	CHK ANG ±1/2°	FINISH	SIZE	DRAWING NO	REV
THIRD ANGLE PROJECTION			RFP	PREV	B	028800	
			NETWORK FILE NAME				

TOLERANCES UNLESS SPECIFIED	DEC	INCHES	XX ±.03	XXX ±.005	XXXX ±.0005	MAT'L

LEESON ELECTRIC MOTORS GEARMOTORS AND DRIVES
 DRAWN KMM 09/27/07
 CHK
 APPR

TITLE OUTLINE - 145TC FRAME
 REF OL120274
 FMF 120274.00
 SCALE 3:8
 PAGE OF

VIEW FROM OUTSIDE OF MOTOR AT SWITCH END.



	ROTATION FACING LEAD END	L1	L2	JOIN
HIGH VOLT	C.C.W.	T1	T4 T5	T2,T3 T8
	C.W.	T1	T4 T8	T2,T3 T5
LOW VOLT	C.C.W.	T1 T3,T8	T2,T4 T5	
	C.W.	T1,T3 T5	T2,T4 T8	

* THIS LEAD MAY BE WHITE

		TOLERANCES UNLESS SPECIFIED		LEESON ELECTRIC MOTORS GEARMOTORS AND DRIVES		DRAWN JRW 09/27/74	
		DEC.	INCHES			CHK	TEM
		.X	±.1			APPD	10/11/74
11	ALTERNATE T5 LEAD MARKING WAS RED	RLW	8/6/02	.XX	±.01	TITLE	EXT. WIRING DIAGRAM TYPE "K" W/O PROTECTOR
10	ADDED ALTERNATE T5 LEAD MARKING	RLW	6/5/02	KH	.XXX ±.005	SCALE	1=1
09	REDRAWN TO CAD	DBT	05/28/97		.XXXX ±.0005	REF	A-005053
NO.	REVISION	BY & DATE	CHK	ANG	±1/2'	MAT'L.	DECAL-004012
						FINISH	
THIS DRAWING IN DESIGN AND DETAIL IS OUR PROPERTY AND MUST NOT BE USED EXCEPT IN CONNECTION WITH OUR WORK ALL RIGHTS OF DESIGN AND INVENTION ARE RESERVED THIS IS AN ELECTRONICALLY GENERATED DOCUMENT - DO NOT SCALE THIS PRINT		RFP		CAD FILE	00505401	SIZE	DRAWING NO.
		DIST	BRF-NLV			A	005054-01
							REV.
							11



CERTIFICATION DATA SHEET

**1051 CHEYENNE AVE.
GRAFTON, WI 53024
PH. 262-377-8810**

CONN. DIAGRAM: 005054.01

CATALOG #: 120274.00

OUTLINE: 028800-850B

MOUNTING: F1 ONLY

WINDING #: K634271 FR 3 A

TYPICAL MOTOR PERFORMANCE DATA

HP	kW	SYNC. RPM	F.L. RPM	FRAME	ENCLOSURE	KVA CODE	DESIGN
2	1.49	1800	1740	145TC	TEFC	H	L

PH	Hz	VOLTS	AMPS	START TYPE	DUTY	INSL	S.F.	AMB°C
1	60	115/208-230	18.4/9.2	ACROSS THE LINE	CONTINUOUS	B4	1.0	40

FULL LOAD EFF:	82	3/4 LOAD EFF:	75.2	1/2 LOAD EFF:	69	GTD. EFF		ELEC. TYPE	
FULL LOAD PF:	86	3/4 LOAD PF:	79.4	1/2 LOAD PF:	70.3	78.5		CAP START CAP RUN	

F.L. TORQUE	LOCKED ROTOR AMPS	L.R. TORQUE	B.D. TORQUE	F.L. RISE°C
5.99 LB-FT	133 / 66.5	16.2 LB-FT 271 %	15.4 LB-FT 258 %	96.9

SOUND PRESSURE @ 3 FT.	SOUND POWER	ROTOR WK^2	MAX. WK^2	SAFE STALL TIME	STARTS / HOUR	APPROX. MOTOR WGT
56 dBA	66 dBA	0.15 LB-FT^2	0 LB-FT^2	10 SEC.	0	46 LBS.

***** SUPPLEMENTAL INFORMATION *****

DE BRACKET TYPE	ODE BRACKET TYPE	MOUNT TYPE	ORIENTATION	SEVERE DUTY	HAZARDOUS LOCATION	DRIP COVER	SCREENS	PAINT
C-FACE	STANDARD	RIGID	HORIZONTAL	FALSE	NONE	FALSE	NONE	BLUE - LEESON (ENAMEL)

BEARINGS		GREASE	SHAFT TYPE	SPECIAL DE	SPECIAL ODE	SHAFT MATERIAL	FRAME MATERIAL
DE	ODE						
BALL	BALL	POLYREX EM	T	NONE	NONE	1144 STRESSPROOF (C-223)	ROLLED STEEL
6205	6203						

THERMO-PROTECTORS				THERMISTORS	CONTROL	SPACE HEATERS
THERMOSTATS	PROTECTORS	WDG RTDs	BRG RTDs			
NONE	NOT	NONE	NONE	NONE	FALSE	NONE VOLTS

*
N
O
T
E
S

INVERTER TORQUE: NONE
INV. HP SPEED RANGE: NONE
ENCODER: NONE
NONE NONE
NONE NONE PPR
BRAKE: NONE NONE
NONE P/N NONE
NONE NONE
NONE FT-LB NONE V NONE HZ



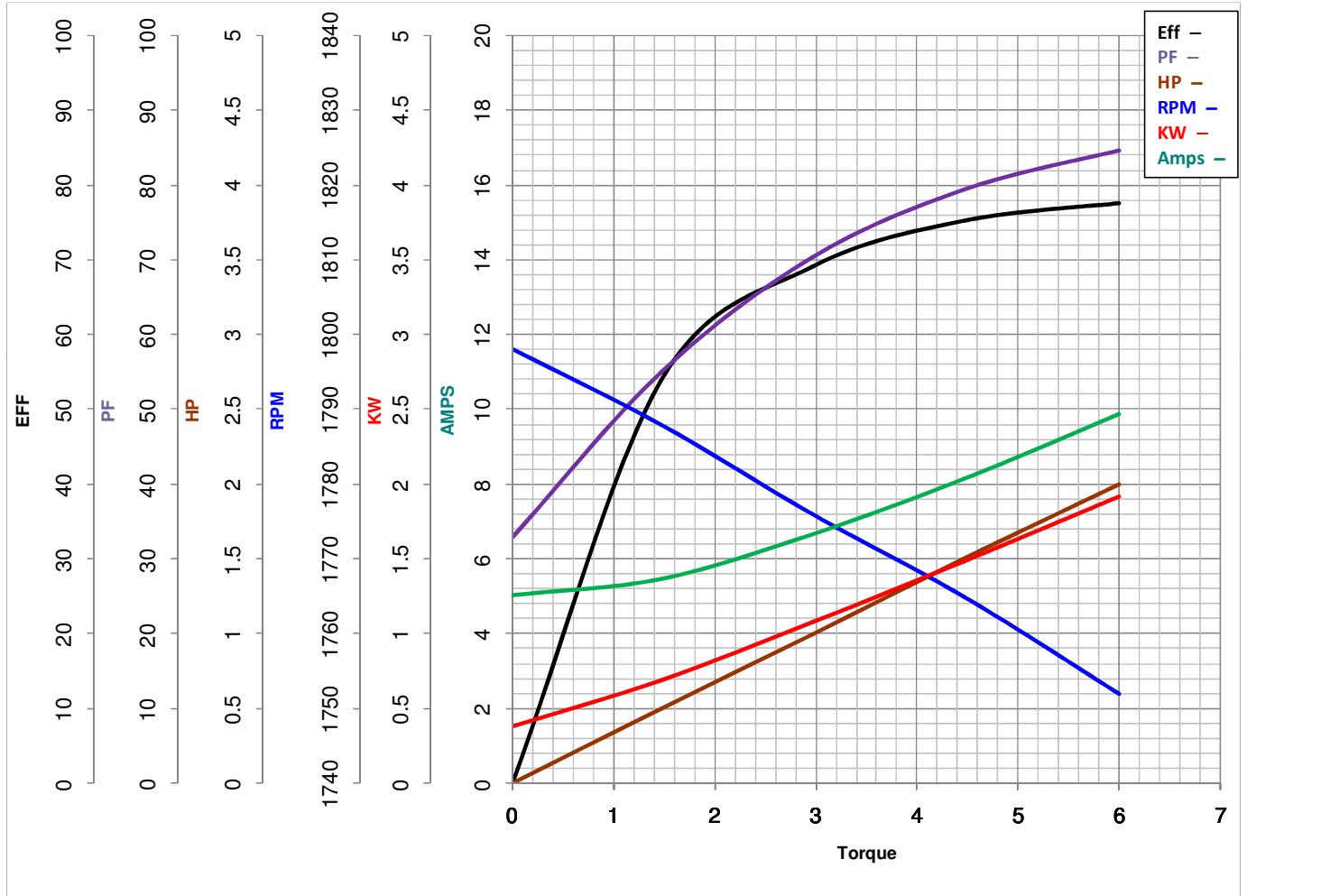
LEESON ELECTRIC CORPORATION
 TYPICAL PERFORMANCE CURVE for AC MOTOR

Model No 120274.00

Catalog No 120274.00

Curve at 230 Volts HP 2.00 PHASE 1
60 HZ
2 HP VOLTS 115/208-230

HZ 60 RPM 1740



Torque in Lb.Ft

FL TORQUE 5.99 Lb.Ft
 BD TORQUE 15.4 Lb.Ft
 LR TORQUE 16.2 Lb.Ft

FL AMPS 18.4/9.2
 PU TORQUE 8.9 Lb.Ft
 LR AMPS 66.5

WINDING K634271-3

Date 4/23/2018