

PRODUCT INFORMATION PACKET



Model No: 112135.00

Catalog No: 112135.00

0.75 HP General Purpose Motor, 1 phase, 3600 RPM, 115/208-230 V, 56C Frame, TEFC
Single Phase TEFC Motors



Regal and Leeson are trademarks of Regal Beloit Corporation or one of its affiliated companies.

©2020 Regal Beloit Corporation, All Rights Reserved. MC017097E

REGAL



Nameplate Specifications

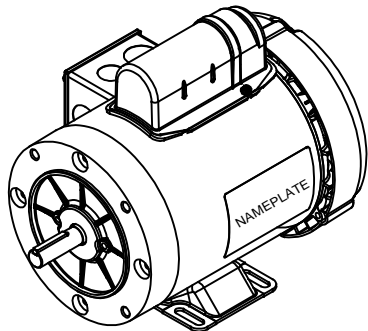
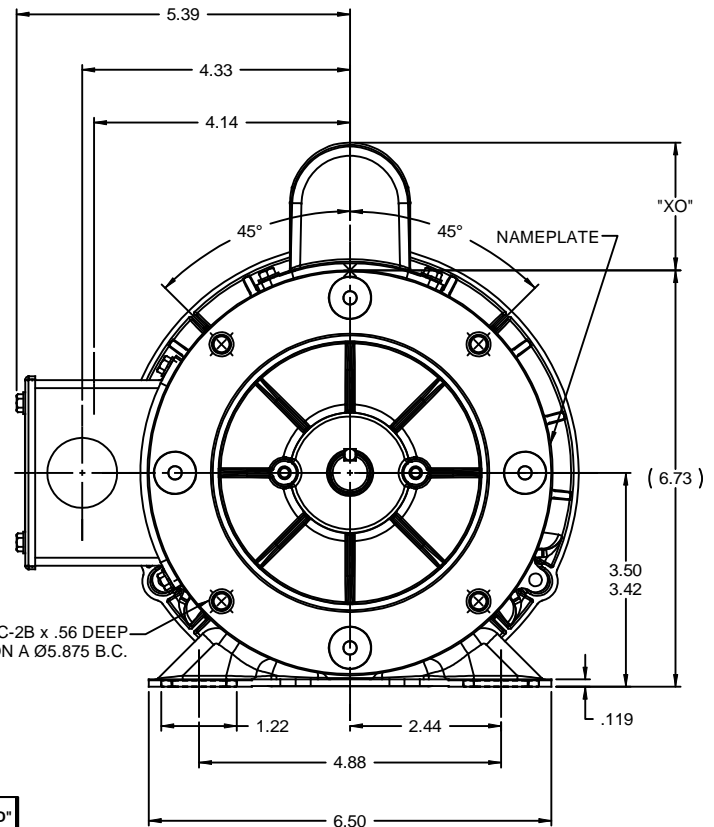
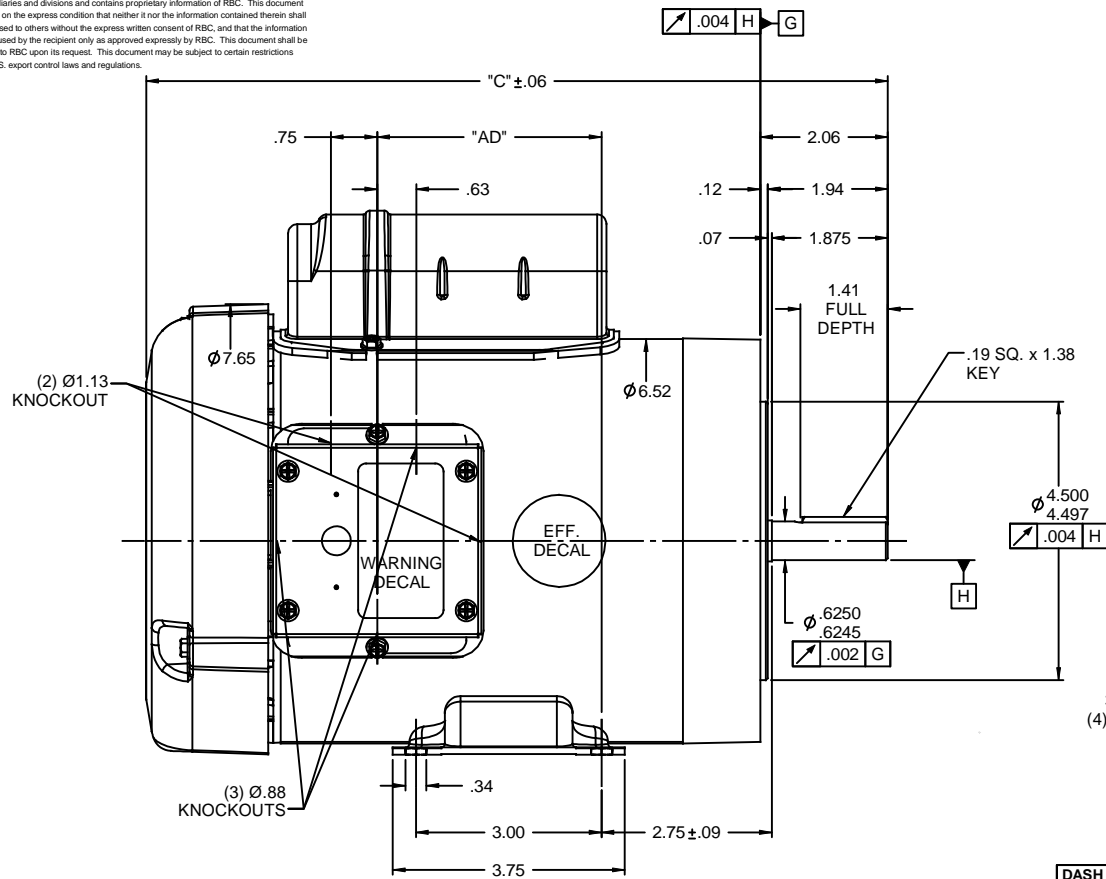
Output HP	0.75 Hp	Output KW	0.56 kW
Frequency	60 Hz	Voltage	115/208-230 V
Current	10.0/5.2-5.0 A	Speed	3450 rpm
Service Factor	1.15	Phase	1
Efficiency	64 %	Power Factor	76
Duty	Continuous	Insulation Class	B
Design Code	N	KVA Code	L
Frame	56C	Enclosure	Totally Enclosed Fan Cooled
Thermal Protection	No	Ambient Temperature	40 °C
Drive End Bearing Size	6203	Opp Drive End Bearing Size	6203
UL	Recognized	CSA	Y
CE	N	IP Code	43

Technical Specifications

Electrical Type	Capacitor Start Induction Run	Starting Method	Across The Line
Poles	2	Rotation	Selective Counterclockwise
Resistance Main	2.4 Ohms	Mounting	Rigid base
Motor Orientation	Horizontal	Drive End Bearing	Ball
Opp Drive End Bearing	Ball	Frame Material	Rolled Steel
Shaft Type	NEMA 56	Overall Length	11.48 in
Frame Length	6.00 in	Shaft Diameter	0.625 in
Shaft Extension	1.88 in	Assembly/Box Mounting	F1 ONLY
Connection Drawing	005005.01	Outline Drawing	028857-600B

This is an uncontrolled document once printed or downloaded and is subject to change without notice. Date Created:14/10/2020

RBC PROPRIETARY AND CONFIDENTIAL INFORMATION
 This document is the property of REGAL BELOIT CORPORATION ("RBC") including its subsidiaries and divisions and contains proprietary information of RBC. This document is loaned on the express condition that neither it nor the information contained therein shall be disclosed to others without the express written consent of RBC, and that the information shall be used by the recipient only as approved expressly by RBC. This document shall be returned to RBC upon its request. This document may be subject to certain restrictions under U.S. export control laws and regulations.



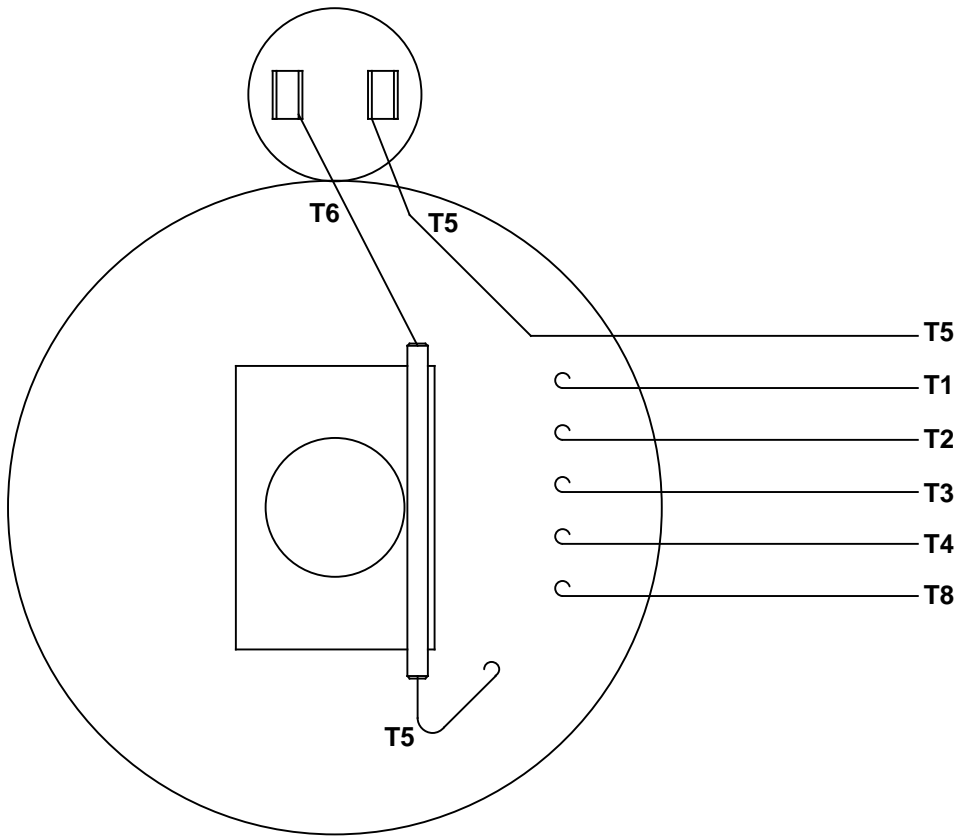
DASH NO.	"C"	"AD"
500	10.48	2.12
550	10.98	2.62
600	11.48	3.12
650	11.98	3.62
700	12.48	4.12
750	12.98	4.62
800	13.48	5.12
850	13.98	5.62

CAP. DASH	"XO"
A	1.61
B	2.08
C	2.32

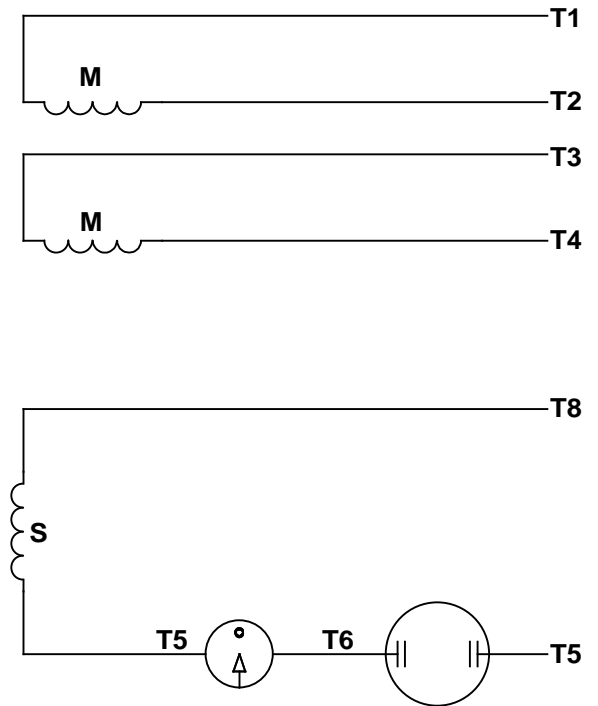
NOTES:
 1) GASKETS THROUGHOUT

TOLERANCES UNLESS SPECIFIED				ELECTRIC MOTORS GEARMOTORS AND DRIVES		DRAWN GRB 07/22/08	
	DEC	INCHES					CHK DJ 07/22/08
	X	±.1					APPR
	.XX	±.03		TITLE	OUTLINE - 56C FRAME		SCALE 1:2
	.XXX	±.005			TEFC - "C" FACE		REF 028851
01	ADDED FRAMES 500, 550 & 600	MBR 9/3/08	GWS	.XXX	±.0005	MATL	FMF 110180.00
NO	REVISION	BY & DATE	CHK	ANG	±1/2°	FINISH	PAGE 1 OF 1
			RFP	07/22/08		PREV	
	THIRD ANGLE PROJECTION			NETWORK FILE NAME		SIZE	DRAWING NO
						B	028857
							REV 01

VIEW FROM OUTSIDE OF MOTOR AT SWITCH END.



LINE LEADS



RBC PROPRIETARY AND CONFIDENTIAL INFORMATION
 This document is the property of REGAL BELOIT CORPORATION ("RBC") including its subsidiaries and divisions and contains proprietary information of RBC. This document is loaned on the express condition that neither it nor the information contained therein shall be disclosed to others without the express written consent of RBC, and that the information shall be used by the recipient only as approved expressly by RBC. This document shall be returned to RBC upon its request. This document may be subject to certain restrictions under U.S. export control laws and regulations.

	ROTATION FACING LEAD END	L1	L2	JOIN
HIGH VOLT	C.C.W.	T1	T4, T5	T2, T3, T8
	C.W.	T1	T4, T8	T2, T3, T5
LOW VOLT	C.C.W.	T1, T3, T8	T2, T4, T5	-----
	C.W.	T1, T3, T5	T2, T4, T8	-----

--	REDRAWN IN SOLIDWORKS	VJB 02/16/11	TOLERANCES UNLESS SPECIFIED		LEESON	ELECTRIC MOTORS GEARMOTORS AND DRIVES	DRAWN ADH 08/06/73
27	UPDATED TO CURRENT STANDARDS	DBT 05/27/97	DEC	INCHES			CHK
26	ADDED PAGE 32 (114787) & PAGE 33 (114788)	KAZ 12/20/95	PG	.X ±.1	TITLE EXTERNAL WIRING DIAGRAM TYPE "C" W/O PROTECTOR		APPR JCW 03/09/79
25	ADDED PAGE 31	KAZ 04/19/95	DL	.XX ±.01			SCALE 1:1
24	ADDED PAGES 29 & 30	KMM 03/30/95	DL	.XXX ±.005	MAT'L DECAL - 004012		REF FIG 2-23 C4A
23	ADDED PAGE 28	KMM 01/27/95		.XXXX ±.0005			FMF MGI-2.4B
NO	REVISION	BY & DATE	CHK	ANG ±1/2°	FINISH	PAGE	OF
THIRD ANGLE PROJECTION			RFP	PREV	SIZE	DRAWING NO	
			NETWORK FILE NAME 00500501		A	005005-01	
							REV
							--



CERTIFICATION DATA SHEET

**1051 CHEYENNE AVE.
GRAFTON, WI 53024
PH. 262-377-8810**

CATALOG #: 112135.00

CONN. DIAGRAM: 005005.01

OUTLINE: 028857-600B

MOUNTING: F1 ONLY

WINDING #: C632210 3 A

TYPICAL MOTOR PERFORMANCE DATA

HP	kW	SYNC. RPM	F.L. RPM	FRAME	ENCLOSURE	KVA CODE	DESIGN
3/4	0.56	3600	3450	56C	TEFC	L	N

PH	Hz	VOLTS	AMPS	START TYPE	DUTY	INSL	S.F.	AMB°C
1	60	115/208-230	10/5.2-5	ACROSS THE LINE	CONTINUOUS	B4	1.15	40

FULL LOAD EFF:	64	3/4 LOAD EFF:	58.6	1/2 LOAD EFF:	50.3	GTD. EFF		ELEC. TYPE	
FULL LOAD PF:	76	3/4 LOAD PF:	73	1/2 LOAD PF:	65.4	59.5	CAP START IND RUN		

F.L. TORQUE	LOCKED ROTOR AMPS	L.R. TORQUE	B.D. TORQUE	F.L. RISE°C
18 OZ-FT	60 / 30	64 OZ-FT 356 %	48 OZ-FT 267 %	55

SOUND PRESSURE @ 3 FT.	SOUND POWER	ROTOR WK^2	MAX. WK^2	SAFE STALL TIME	STARTS / HOUR	APPROX. MOTOR WGT
0 dBA	10 dBA	0.042 LB-FT^2	0 LB-FT^2	10 SEC.	0	29 LBS.

***** SUPPLEMENTAL INFORMATION *****

DE BRACKET TYPE	ODE BRACKET TYPE	MOUNT TYPE	ORIENTATION	SEVERE DUTY	HAZARDOUS LOCATION	DRIP COVER	SCREENS	PAINT
C-FACE	STANDARD	RIGID	HORIZONTAL	FALSE	NONE	FALSE	NONE	BLUE - LEESON (ENAMEL)

BEARINGS		GREASE	SHAFT TYPE	SPECIAL DE	SPECIAL ODE	SHAFT MATERIAL	FRAME MATERIAL
DE	ODE						
BALL	BALL	POLYREX EM	STANDARD 56	NONE	NONE	1144 STRESSPROOF (C-223)	ROLLED STEEL
6203	6203						

THERMO-PROTECTORS				THERMISTORS	CONTROL	SPACE HEATERS
THERMOSTATS	PROTECTORS	WDG RTDs	BRG RTDs			
NONE	NOT	NONE	NONE	NONE	FALSE	NONE VOLTS

*
N
O
T
E
S

INVERTER TORQUE: NONE
INV. HP SPEED RANGE: NONE
ENCODER: NONE
NONE NONE
NONE NONE PPR
BRAKE: NONE NONE
NONE P/N NONE
NONE NONE
NONE FT-LB NONE V NONE HZ

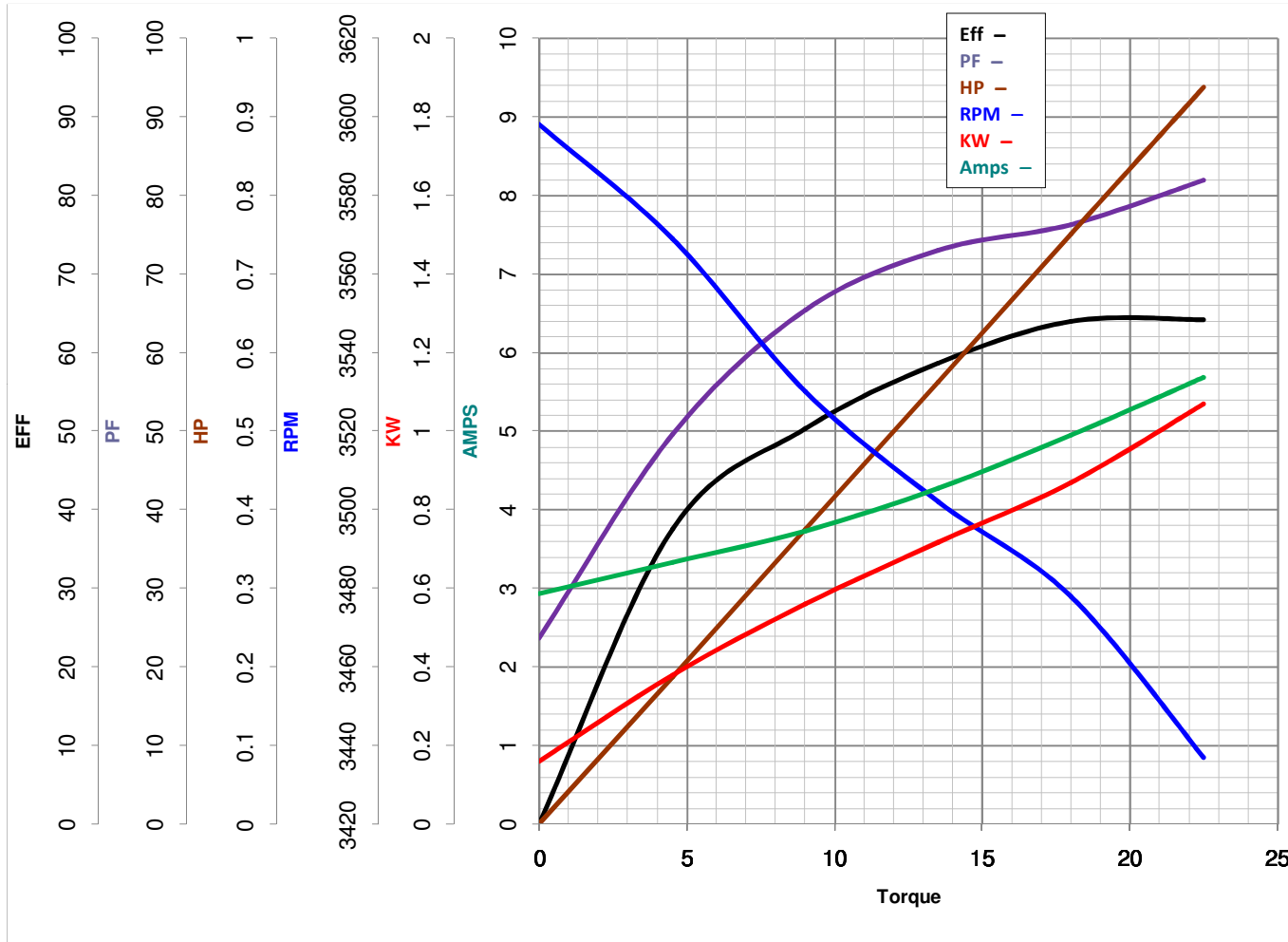


LEESON ELECTRIC CORPORATION
 TYPICAL PERFORMANCE CURVE for AC MOTOR

Model No 112135.00

Catalog No 112135.00

Curve at 230 Volts HP 0.76 PHASE 1
60 HZ
0.75 HP VOLTS 115/208-230
 HZ 60 RPM 3450



Torque in Oz.Ft

FL TORQUE 18 Oz.Ft
 BD TORQUE 48.0 Oz.Ft
 LR TORQUE 64 Oz.Ft

FL AMPS 10/5.2-5
 PU TORQUE 45.0 Oz.Ft
 LR AMPS 30

WINDING C632210-3

Date 3/27/2018