

PRODUCT INFORMATION PACKET



Model No: 110180.00

Catalog No: 110180.00

General Purpose Motor, 1 HP, 1 Ph, 60 Hz, 115/208-230 V, 3600 RPM, 56C Frame, TEFC



Regal and Leeson are trademarks of Regal Rexnord Corporation or one of its affiliated companies.

©2022 Regal Rexnord Corporation, All Rights Reserved. MC017097E





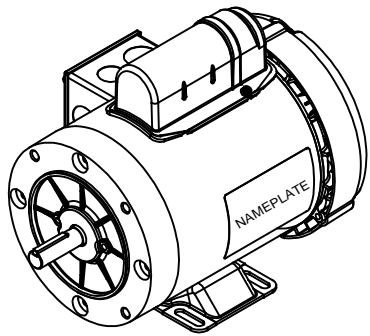
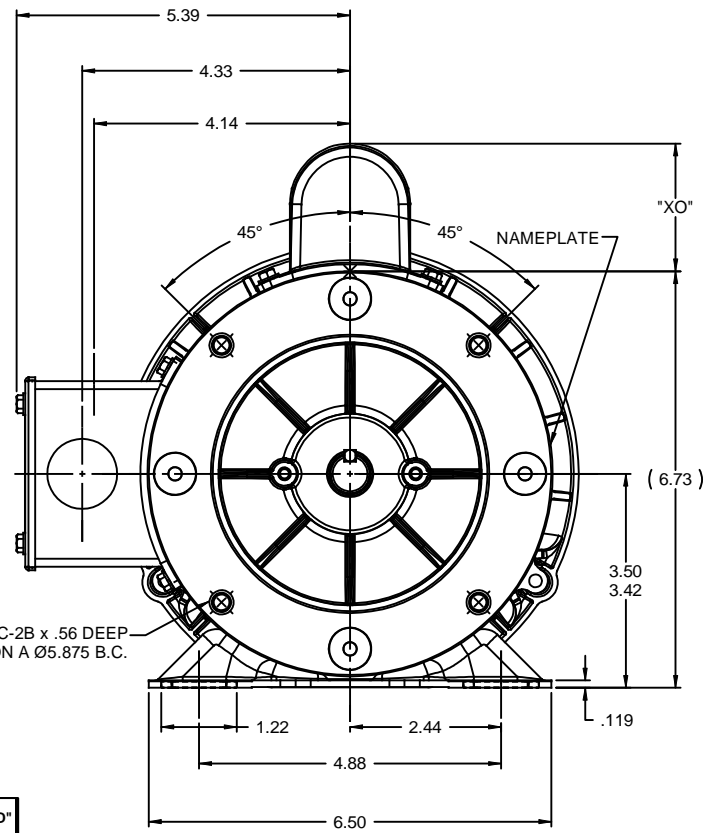
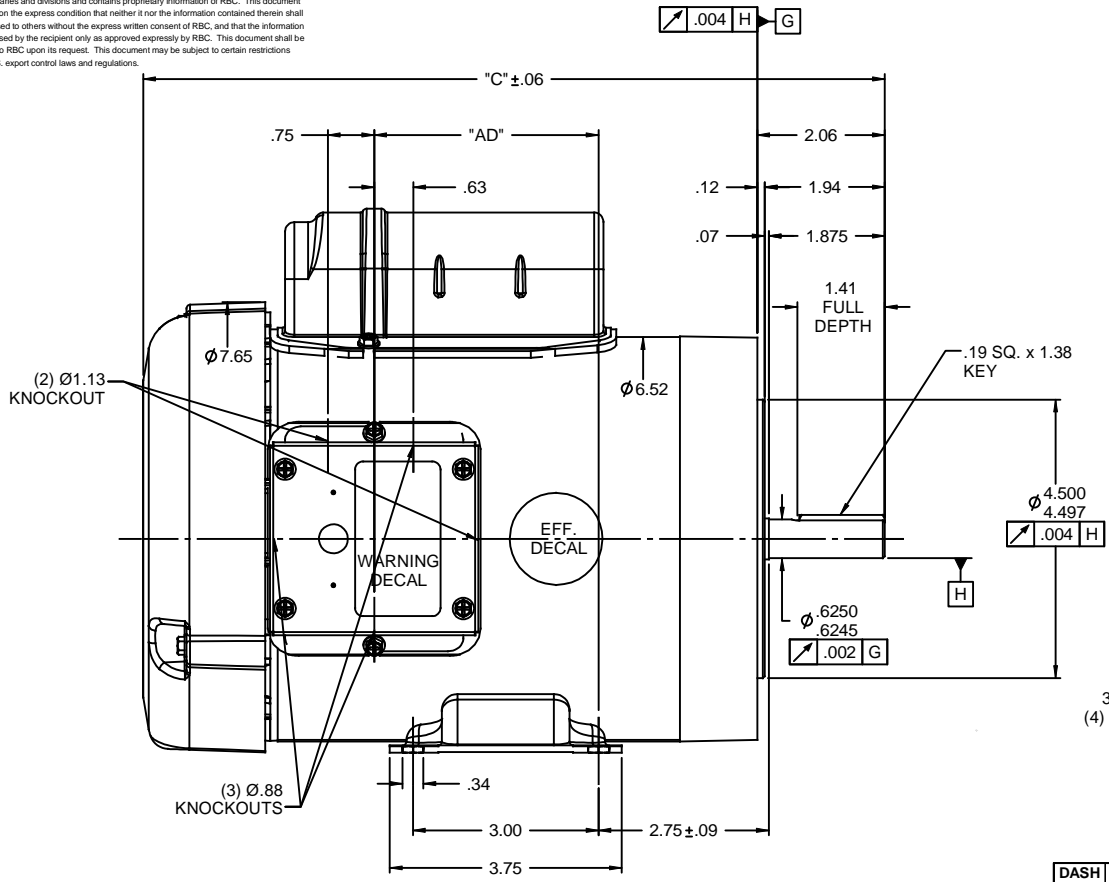
Nameplate Specifications

Output HP	1 Hp	Output KW	0.75 kW
Frequency	60 Hz	Voltage	115/208-230 V
Current	12.0/6.2-6.0 A	Speed	3450 rpm
Service Factor	1.15	Phase	1
Efficiency	70 %	Power Factor	76
Duty	Continuous	Insulation Class	B
Design Code	N	KVA Code	J
Frame	56C	Enclosure	Totally Enclosed Fan Cooled
Thermal Protection	No Protection	Ambient Temperature	40 °C
Drive End Bearing Size	6203	Opp Drive End Bearing Size	6203
UL	Recognized	CSA	Y
CE	N	IP Code	43
Number of Speeds	1		

Technical Specifications

Electrical Type	Capacitor Start Induction Run	Starting Method	Across The Line
Poles	2	Rotation	Selective Counterclockwise
Resistance Main	1.92 Ohms	Mounting	Rigid Base
Motor Orientation	Horizontal	Drive End Bearing	Ball
Opp Drive End Bearing	Ball	Frame Material	Rolled Steel
Shaft Type	NEMA 56	Overall Length	11.98 in
Frame Length	6.50 in	Shaft Diameter	0.625 in
Shaft Extension	1.88 in	Assembly/Box Mounting	F1 ONLY
Outline Drawing	028857-650B	Connection Drawing	005005.01

RBC PROPRIETARY AND CONFIDENTIAL INFORMATION
 This document is the property of REGAL BELOIT CORPORATION ("RBC") including its subsidiaries and divisions and contains proprietary information of RBC. This document is loaned on the express condition that neither it nor the information contained therein shall be disclosed to others without the express written consent of RBC, and that the information shall be used by the recipient only as approved expressly by RBC. This document shall be returned to RBC upon its request. This document may be subject to certain restrictions under U.S. export control laws and regulations.



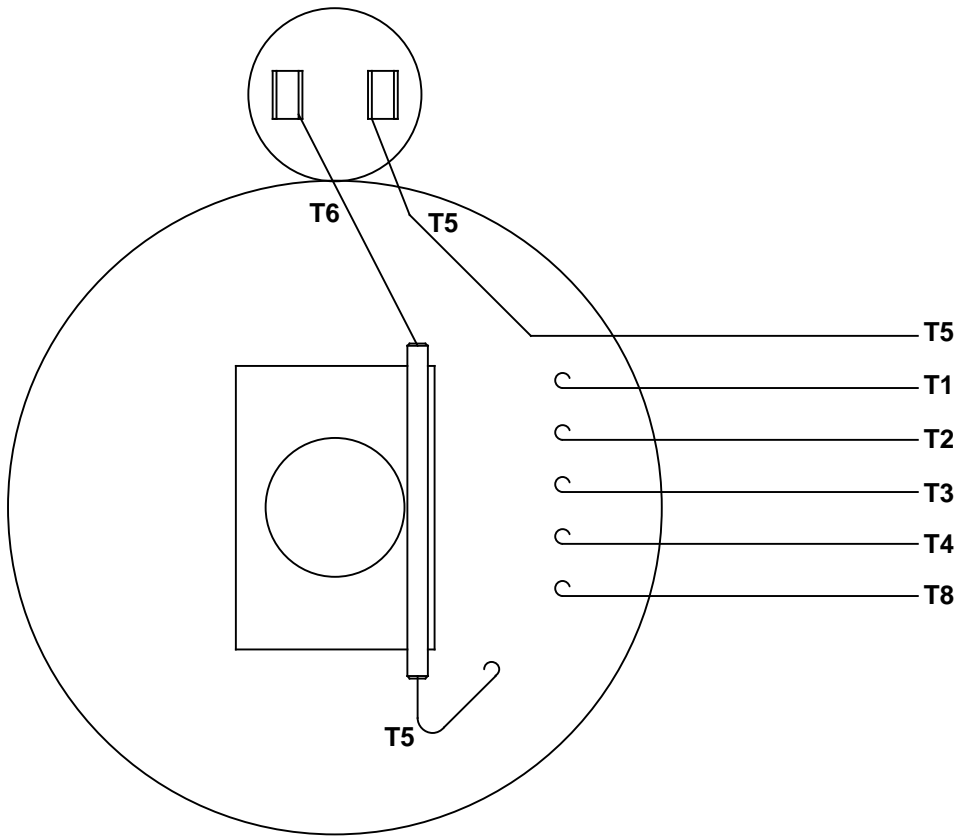
DASH NO.	"C"	"AD"
500	10.48	2.12
550	10.98	2.62
600	11.48	3.12
650	11.98	3.62
700	12.48	4.12
750	12.98	4.62
800	13.48	5.12
850	13.98	5.62

CAP. DASH	"XO"
A	1.61
B	2.08
C	2.32

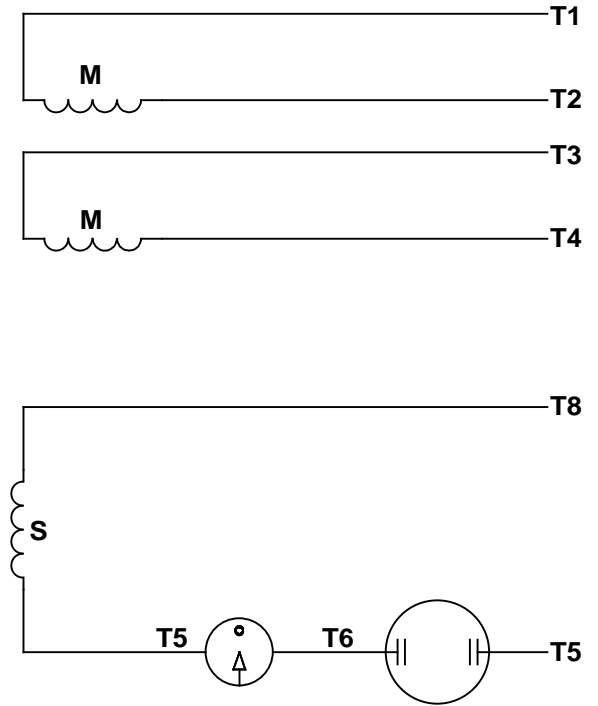
NOTES:
 1) GASKETS THROUGHOUT

			TOLERANCES UNLESS SPECIFIED		LEESON ELECTRIC MOTORS GEARMOTORS AND DRIVES	DRAWN GRB 07/22/08
			DEC	INCHES		CHK DJ 07/22/08
			x	±.1	APPR	
			.xx	±.03	TITLE	OUTLINE - 56C FRAME
			.xxx	±.005		REF 028851
01	ADDED FRAMES 500, 550 & 600	MBR 9/3/08	GWS	.xxx	MATL	FMF 110180.00
NO	REVISION	BY & DATE	CHK	ANG ±1/2°	FINISH	PAGE 1 OF 1
			RFP	07/22/08	PREV	
THIRD ANGLE PROJECTION			NETWORK FILE NAME		SIZE	DRAWING NO
					B	028857
						REV
						01

VIEW FROM OUTSIDE OF MOTOR AT SWITCH END.




LINE LEADS



RBC PROPRIETARY AND CONFIDENTIAL INFORMATION
 This document is the property of REGAL BELOIT CORPORATION ("RBC") including its subsidiaries and divisions and contains proprietary information of RBC. This document is loaned on the express condition that neither it nor the information contained therein shall be disclosed to others without the express written consent of RBC, and that the information shall be used by the recipient only as approved expressly by RBC. This document shall be returned to RBC upon its request. This document may be subject to certain restrictions under U.S. export control laws and regulations.

	ROTATION FACING LEAD END	L1	L2	JOIN
HIGH VOLT	C.C.W.	T1	T4, T5	T2, T3, T8
	C.W.	T1	T4, T8	T2, T3, T5
LOW VOLT	C.C.W.	T1, T3, T8	T2, T4, T5	-----
	C.W.	T1, T3, T5	T2, T4, T8	-----

--	REDRAWN IN SOLIDWORKS	VJB 02/16/11	TOLERANCES UNLESS SPECIFIED		 ELECTRIC MOTORS GEARMOTORS AND DRIVES	DRAWN ADH 08/06/73
27	UPDATED TO CURRENT STANDARDS	DBT 05/27/97	DEC	INCHES		CHK
26	ADDED PAGE 32 (114787) & PAGE 33 (114788)	KAZ 12/20/95	PG	.X ±.1		APPR JCW 03/09/79
25	ADDED PAGE 31	KAZ 04/19/95	DL	.XX ±.01	TITLE EXTERNAL WIRING DIAGRAM	SCALE 1:1
24	ADDED PAGES 29 & 30	KMM 03/30/95	DL	.XXX ±.005	TYPE "C" W/O PROTECTOR	REF FIG 2-23 C4A
23	ADDED PAGE 28	KMM 01/27/95		.XXXX ±.0005	MAT'L DECAL - 004012	FMF MGI-2.4B
NO	REVISION	BY & DATE	CHK	ANG ±1/2°	FINISH	PAGE OF
THIRD ANGLE PROJECTION			RFP	PREV	SIZE	DRAWING NO
			NETWORK FILE NAME 00500501		A	005005-01
						REV
						--



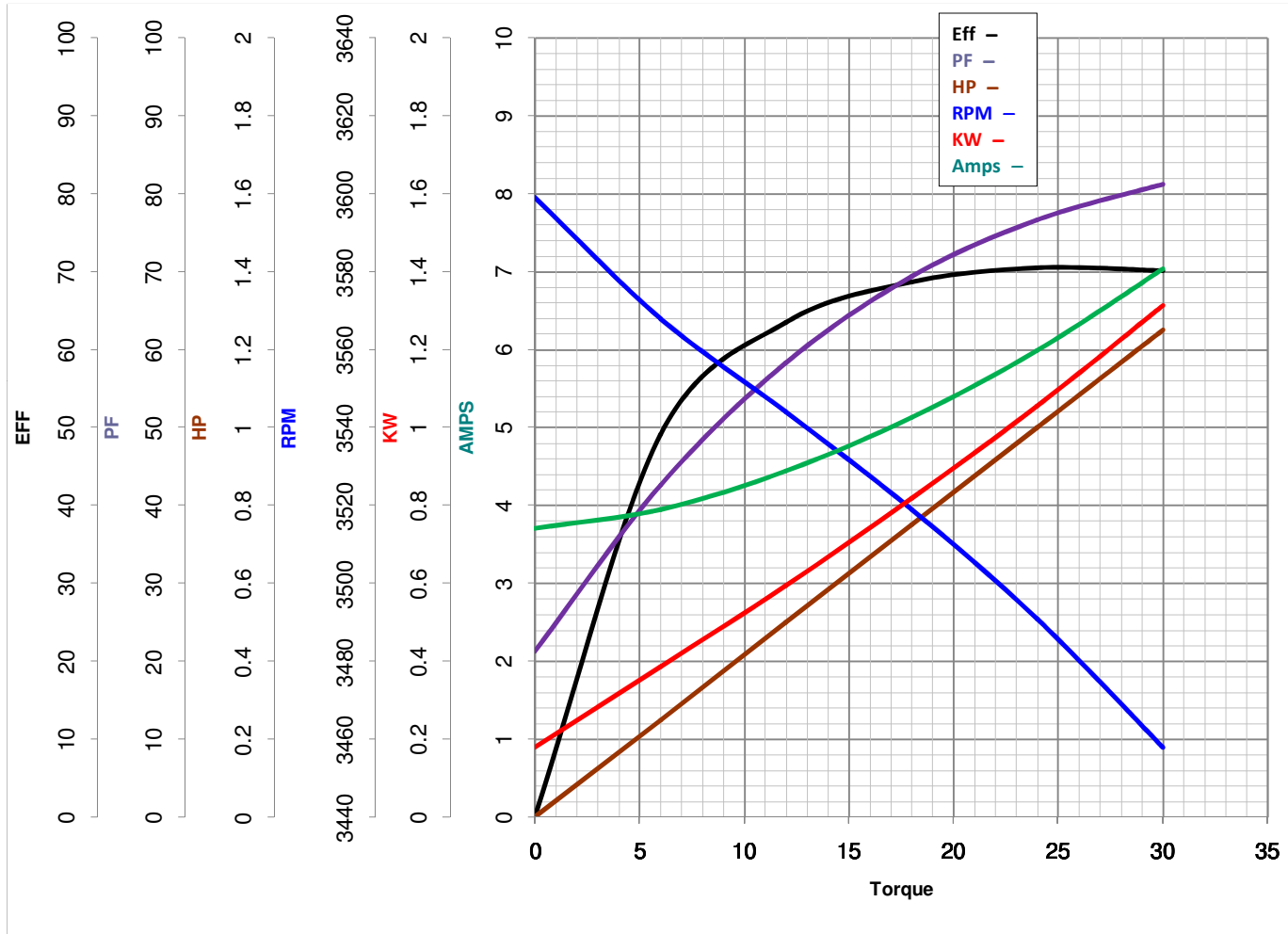
LEESON ELECTRIC CORPORATION
 TYPICAL PERFORMANCE CURVE for AC MOTOR

Model No 110180.00

Catalog No 110180.00

Curve at 230 Volts HP 1.00 PHASE 1
60 HZ
1 HP VOLTS 115/208-230

HZ 60 RPM 3450



Torque in Oz.Ft

FL TORQUE 24 Oz.Ft
 BD TORQUE 64.0 Oz.Ft
 LR TORQUE 80 Oz.Ft

FL AMPS 12/6.2-6
 PU TORQUE 60.0 Oz.Ft
 LR AMPS 34

WINDING C632211-3

Date 3/23/2018