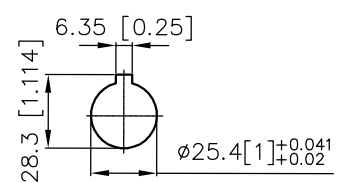
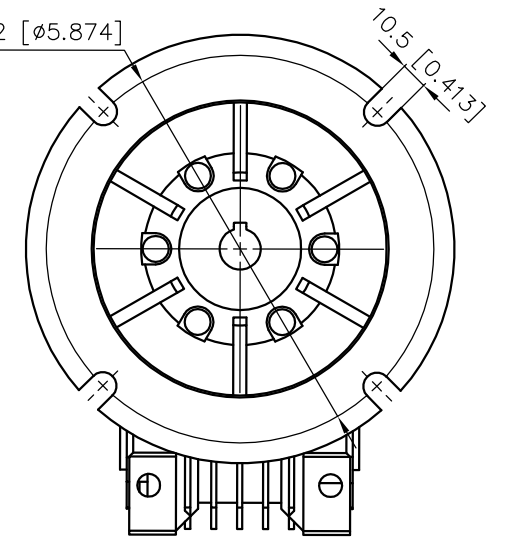
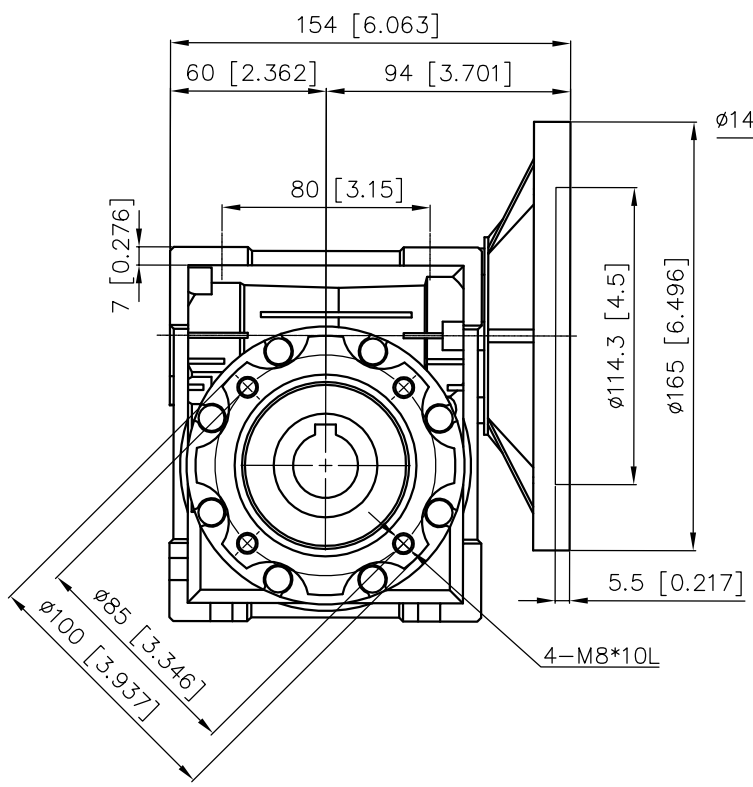
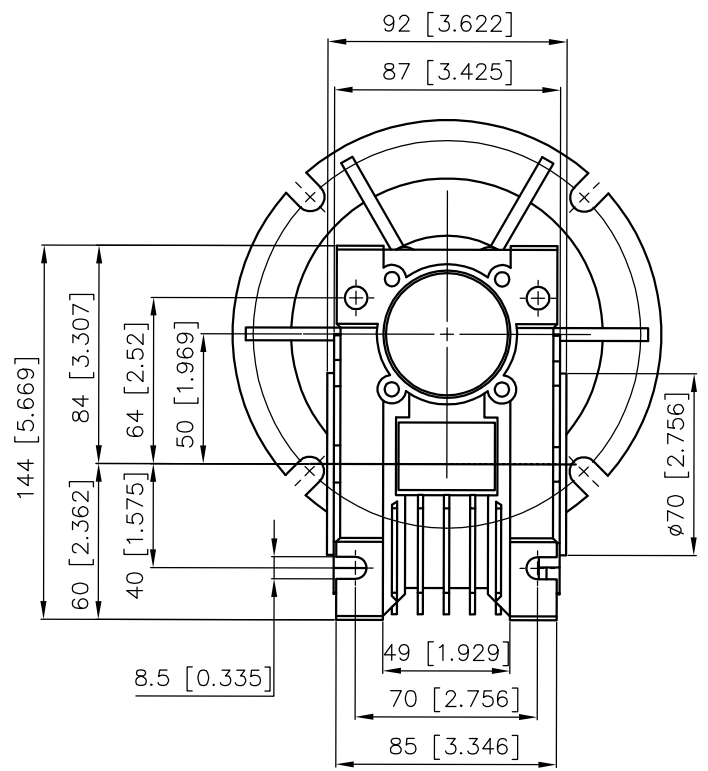
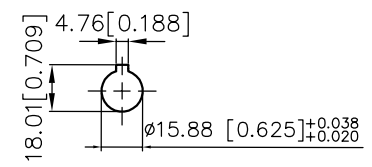


1 2 3 4 5 6 7 8

A
B
C
D
E
F



OUTPUT BORE



Input bore

SCABBLE TOL. >X0 ±0.1 >V6 ±0.2 >30 ±0.4 >120 ±0.5 >315 ±0.8 MACHINING REQUIRED NO MACHINING 50S 25S 6S ANG. ±0.5	DWG.	2022.06.01	Y.S.P	WORLDWIDE TITLE CALM50-56C DWG NO. CALM50-56C
	DESIGN.			
	APPR.			
	DATE	NAME		REV
	SCALE	1:1		

NO.	SECTION	ORIGIN	MODIFICATION	DATE	IN CHARGE
2					
1					